



Operator's Manual

EA600

AERA-vator





500 Venture Drive
Orrville, OH 44667
www.ventrac.com

View all manuals



Visit ventrac.com/manuals for the latest version of this operator's manual.

A downloadable parts manual is also available.

To the Owner Contact Information and Product Identification

If you need to contact an authorized Ventrac dealer for information on servicing your product, always provide the product model and serial numbers.

Please fill in the following information for future reference. See the picture(s) below to find the location of the identification numbers. Record them in the spaces provided.

Date of Purchase: _____

Dealer: _____

Dealer Address: _____

Dealer Phone Number: _____

Dealer Fax Number: _____

Model # (A): _____

Serial # (B): _____



Ventrac Products Inc. reserves the right to make changes in design or specifications without obligation to make like changes on previously manufactured products.

TABLE OF CONTENTS

INTRODUCTION	PAGE 5
Product Description	5
Why Do I Need an Operator’s Manual?	5
Using Your Manual	6
Manual Glossary	6
SAFETY	PAGE 7
General Safety Procedures	7
Training Required	7
Requirements for Personal Protective Equipment (PPE)	7
Operation Safety.	7
Keep Riders Off	9
Operating On Slopes	9
Truck Or Trailer Transport	10
Maintenance	10
Fuel Safety	11
Hydraulic Safety	12
Safety Decals.	13
OPERATIONAL CONTROLS	PAGE 15
Operational Control Locations	15
Clutch Handle (A)	15
Shut Off Lever - Optional Seeder Kit (D).	15
Slide Gauge Cam - Optional Seeder Kit (E)	15
12 Volt Switch - Optional Seeder Kit	15
GENERAL OPERATION	PAGE 16
Daily Inspection	16
Attaching	16
Detaching.	16
Operating Procedure	17
Transport of the Attachment.	17
Seeder Calibration Procedure	18
Seed Rate Charts	19
SERVICE	PAGE 31
Cleaning and General Maintenance.	31
Cleaning the Optional Seeder	31
Belt Inspection.	31
Gearbox Drive Belt Replacement	32
Triple Drive Belt Replacement	32
Triple Drive Belt Adjustment	33
Drive Chain Tension Inspection (Optional Seeder).	34
Drive Chain Tension Adjustment (Optional Seeder)	34
Lubrication Locations	34
Checking the Gearbox Oil Level	35
Changing the Gearbox Oil	35
Storage	35
Rotor Shaft Service Instructions	36
Rotor Shaft Removal	36
Rotor Hub Disassembly.	37

TABLE OF CONTENTS

Rotor Hub Reassembly	38
Rotor Shaft Reassembly.	38
Rotor Shaft Installation	40
Maintenance Schedule	41
Maintenance Checklist	41
SPECIFICATIONS	PAGE 42
Dimensions.	42
Features.	42

INTRODUCTION



Venture Products Inc. is pleased to provide you with your new Ventrac EA600 AERA-vator! We hope that Ventrac equipment will provide you with a ONE Tractor Solution.

Please visit our website, or contact your authorized Ventrac dealer for a complete list of items available for your new AERA-vator.

Accessories	Item Description	Part Number
	Rear Roller Kit	70.8014
	Seeder Kit*	70.8015

*The power unit must be equipped with a front 12 volt switch and plug kit.

Product Description

The Ventrac EA600 AERA-vator is designed to stir and loosen the soil beneath the sod without destroying the turf. The AERA-vator creates a core hole without bringing a core plug to the surface, leaving the turf ready for use immediately after treatment. Eight holes are created per square foot (86 holes per square meter) and the hole size is regulated by the travel speed. A slow travel speed creates a larger hole and increasing the travel speed decreases the hole size.

The AERA-vator works best in dry un-irrigated ground, leaving a core hole while fracturing the sub soil.

For heavily compacted areas or hard clay soil, eight 19 kg (42 pound) Ventrac weights may be mounted on the main frame. Weights cannot be used if the seeder attachment is installed.

The optional seeder mounts to the frame of the AERA-vator and is designed for sole purpose of seed application. The metering mechanism is precision tooled to provide uniform application from each hopper opening. Each of the mechanism's features is designed for long life and accuracy. The stainless steel hopper bottom and slide are micro-precision mated for uniform application at any setting. The diamond shaped openings prevent particle hang-up from very small to large settings.

Why Do I Need an Operator's Manual?

This manual has been created to help you gain the important knowledge of what is needed to safely operate and maintain your machine, and to avoid injury and product damage. It is divided into chapters for convenient reference of the appropriate information.

You must read and understand the operator's manual for each piece of Ventrac equipment you own. Reading the operator's manual will help you become familiar with each specific piece of equipment. If this manual becomes damaged or unreadable, it should be replaced immediately. Contact your local Ventrac dealer for a replacement.

When using a Ventrac attachment, be sure to read and follow the safety and operating instructions of both the power unit and the attachment being used to ensure the safest operation possible.

The information in this manual provides the operator with the safest procedures to operate the machine while getting the maximum use out of the unit. Failure to follow the safety precautions listed in this manual may result in personal injury and/or damage to the equipment.

INTRODUCTION

Using Your Manual

This manual identifies potential hazards and safety concerns to help you, as well as others, avoid personal injury and/or damage to the equipment.

Safety should always be the first priority when working on or operating equipment. Accidents are more likely to occur when proper operating procedures are not followed or inexperienced operators are involved.

SYMBOL DEFINITIONS



This symbol identifies potential health and safety hazards. It marks safety precautions. Your safety and the safety of others is involved.

There are three signal words that describe the level of safety concern: Danger, Warning, and Caution.

SIGNAL WORD DEFINITIONS

DANGER

Indicates an imminently hazardous situation which, if not avoided, will result in death or serious injury. This signal word is limited to the most extreme cases.

WARNING

Indicates a potentially hazardous situation which, if not avoided, could result in death or serious injury.

CAUTION

Indicates a potentially hazardous situation which, if not avoided, may result in minor or moderate injury and/or property damage. It may also be used to alert against unsafe practices.

This manual also uses two words to highlight information. **ATTENTION** calls attention to special mechanical information to prevent equipment damage and/or best practices for equipment service and care.

NOTE emphasizes general information that is worthy of special attention.

Note: Right-Hand and Left-Hand orientations may be referred to at different places throughout this manual. Right-Hand and Left-Hand is determined as if facing forward from the operator station.

Manual Glossary

- Power Unit** A Ventrac tractor or other Ventrac engine powered device that may be operated by itself or with an attachment or accessory.
- Attachment** A piece of Ventrac equipment that requires a Power Unit for operation.
- Accessory** A device that attaches to a Power Unit or Attachment to extend its capabilities.
- Machine** Describes any "Attachment" or "Accessory" that is used in conjunction with a power unit.

SAFETY



General Safety Procedures for Ventrac Power Units, Attachments, & Accessories



Training Required

- The owner of this machine is solely responsible for properly training the operators.
- The owner/operator is solely responsible for the operation of this machine and for the prevention of accidents or injuries occurring to him/herself, other people, or property.
- Do not allow operation or service by children or untrained personnel. Local regulations may restrict the age of the operator.
- Before operating this machine, read the operator's manual and understand its contents.
- If the operator of the machine cannot understand this manual, then it is the responsibility of this machine's owner to fully explain the material within this manual to the operator.
- Learn and understand the use of all the controls.
- Know how to stop the power unit and the attachments quickly in the event of an emergency.

Requirements for Personal Protective Equipment (PPE)

- The owner is responsible for ensuring that all the operators use the proper PPE while operating the machine. Whenever you use the machine, use the following PPE:
- Certified eye protection and hearing protection.
- Closed toe, slip resistant footwear.
- Long pants or trousers.
- A dust mask for dusty conditions.
- Additional PPE may be required. Refer to the product safety procedures for any additional requirements.

Operation Safety

- Secure long hair and loose clothing. Do not wear jewelry.
- Inspect the machine before operation. Repair or replace any damaged, worn, or missing parts. Be sure the guards and shields are in proper working condition and are secured in place. Make any necessary adjustments before operating the machine.
- Some pictures in this manual may show shields or covers opened or removed in order to clearly illustrate the instructions. Under no circumstance should the machine be operated without these devices in place.
- Alterations or modifications to this machine can reduce safety and could cause damage to the machine. Do not alter the safety devices or operate with the shields or covers removed.
- Before each use, verify that all the controls function properly and inspect all the safety devices. Do not operate if the controls or safety devices are not in proper working condition.
- Check the parking brake function before operating. Repair or adjust the parking brake if necessary.
- Observe and follow all of the safety decals.
- All the controls are to be operated from the operator's station only.
- Always wear a seat belt if the machine has a roll cage/bar installed and in the upright position.

SAFETY



General Safety Procedures for Ventrac Power Units, Attachments, & Accessories



- Ensure the attachment or accessory is locked or fastened securely to the power unit before operating.
- Ensure that all bystanders are clear of the power unit and the attachment before operating. Stop the machine if someone enters your work area.
- Always be alert to what is happening around you, but do not lose focus on the task you are performing. Always look in the direction the machine is moving.
- Look behind and down before backing up to be sure of a clear path.
- If you hit an object, stop and inspect the machine. Make any necessary repairs before operating the machine again.
- Stop operation immediately at any sign of equipment failure. An unusual noise can be a warning of equipment failure or a sign that maintenance is required. Make any necessary repairs before operating the machine again.
- If equipped with a high/low range feature, never shift between high and low range while on a slope. Always move the machine to level ground and engage the parking brake before shifting range.
- Do not leave the machine unattended while it is running.
- Always park the machine on level ground.
- Always shut off the engine when connecting the attachment drive belt to the power unit.
- Never leave the operator's station without lowering the attachment to the ground, engaging the parking brake, shutting off the engine, and removing the ignition key. Make sure all moving parts have come to a complete stop before dismounting.
- Never leave the machine unattended without lowering the attachment to the ground, engaging the parking brake, shutting off the engine, and removing the ignition key.
- Only operate in well-lit conditions.
- Do not operate when there is a risk of lightning.
- Never direct the discharge of any attachment in the direction of people, buildings, animals, vehicles, or other objects of value.
- Never discharge material against a wall or obstruction. The material may ricochet back toward the operator.
- Use extra caution when approaching blind corners, shrubs, trees, or other objects that may obscure your vision.
- Do not run the engine in a building without adequate ventilation.
- Do not touch the engine or the muffler while the engine is running or immediately after stopping the engine. These areas may be hot enough to cause a burn.
- Do not change the engine governor settings or over-speed the engine. Operating the engine at excessive speeds may increase the hazard of personal injury.
- To reduce the hazard of fire, keep the battery compartment, engine, and muffler areas free of grass, leaves, excessive grease, and other flammable materials.
- Clear the working area of objects that might be hit or thrown from the machine.

SAFETY



General Safety Procedures for Ventrac Power Units, Attachments, & Accessories



- Keep people and pets out of the working area.
- Know the work area well before operation. Do not operate where traction or stability is questionable.
- Reduce speed when you are operating over rough ground.
- Equipment can cause serious injury and/or death when improperly used. Before operating, know and understand the operation and safety of the power unit and the attachment being used.
- Do not operate the machine if you are not in good physical and mental health, if you will be distracted by personal devices, or if you are under the influence of any substance which might impair your decisions, dexterity, or judgment.
- Children are attracted to machine activity. Be aware of children and do not allow them in the work area. Turn off the machine if a child enters the work area.
- Power units, attachments, and accessories are not designed or intended for travel on public roadways. Never operate or travel on public roads or highways.
- Operate with safety lights when operating near roadways.
- Slow down and be careful of traffic when operating near or crossing roadways. Stop before crossing roads or sidewalks. Use care when approaching areas or objects that may obscure vision.

Keep Riders Off

- Only allow the operator on the power unit. Keep riders off.
- Never allow riders on any attachment or accessory.

Operating On Slopes

- Slopes can cause loss-of-control and tip-over accidents, which can result in severe injury or death. Be familiar with the emergency parking brake, along with the power unit controls and their functions.
- If the power unit is equipped with a fold down roll bar, it must be locked in the upright position when operating on any slope.
- Use low range (if equipped) when operating on slopes greater than 15 degrees.
- Do not stop or start suddenly when operating on slopes.
- Never shift between high and low range while on a slope. Always move the power unit to level ground and engage the parking brake before shifting range or placing the power unit in neutral.
- Variables such as wet surfaces and loose ground will reduce the degree of safety. Do not drive where the machine could lose traction or tip over.
- Keep alert for hidden hazards in the terrain.
- Stay away from drop-offs, ditches, and embankments.
- Sharp turns should be avoided when operating on slopes.
- Pulling loads on hills decreases safety. It is the responsibility of the owner/operator to determine loads that can safely be controlled on slopes.

SAFETY



General Safety Procedures for Ventrac Power Units, Attachments, & Accessories



- Transport the machine with the attachment lowered or close to the ground to improve stability.
- While operating on slopes, drive in an up and down direction whenever possible. If turning is necessary while driving across slopes, reduce your speed and turn slowly in the downhill direction.
- Ensure a sufficient supply of fuel for continuous operation. A minimum of one-half tank of fuel is recommended.

Truck Or Trailer Transport

- Use care when loading or unloading the machine into a truck or trailer.
- Use full width ramps for loading the machine into a truck or trailer.
- The parking brake is not sufficient to lock the machine during transport. Always secure the power unit and/or attachment to the transporting vehicle securely using straps, chains, cables, or ropes. Both the front and rear straps should be directed down and outward from the machine.
- Shut off the fuel supply to the power unit during transport on a truck or trailer.
- If equipped, turn the battery disconnect switch to the Off position to shut off electrical power.

Maintenance

- Keep the safety decals legible. Remove all grease, dirt, and debris from the safety decals and instructional labels.
- If any decals are faded, illegible, or missing, contact your dealer promptly for replacements.
- When new components are installed, be sure that the current safety decals are affixed to the replacement components.
- If any component requires replacement, use only original Ventrac replacement parts.
- Always turn the battery disconnect to the Off position or disconnect the battery before performing any repairs. Disconnect the negative terminal first and the positive terminal last. Reconnect the positive terminal first and the negative terminal last.
- Keep all bolts, nuts, screws, and other fasteners properly tightened.
- Always lower the attachment to the ground, engage the parking brake, shut off the engine, and remove the ignition key. Make sure all moving parts have come to a complete stop before cleaning, inspecting, adjusting, or repairing.
- If the power unit, attachment, or accessory requires repairs or adjustments not instructed in the operator's manual, the power unit, attachment, or accessory must be taken to an authorized Ventrac dealer for service.
- Never perform maintenance on the power unit and/or attachment if someone is in the operator's station.
- Always use protective glasses when handling the battery.
- Check the fuel lines for tightness and wear on a regular basis. Tighten or repair them as needed.
- To reduce the hazard of fire, keep the battery compartment, engine, and muffler areas free of grass, leaves, and excess grease.
- Do not touch the engine, the muffler, or other exhaust components while the engine is running or immediately after stopping the engine. These areas may be hot enough to cause a burn.

SAFETY



General Safety Procedures for Ventrac Power Units, Attachments, & Accessories



- Allow the engine to cool before storing and do not store near an open flame.
- Do not change the engine governor settings or over-speed the engine. Operating engine at excessive speeds may increase the hazard of personal injury.
- Springs may contain stored energy. Use caution when disengaging or removing springs and/or spring loaded components.
- An obstruction or blockage in a drive system or moving/rotating parts may cause a buildup of stored energy. When the obstruction or blockage is removed, the drive system or moving/rotating parts may move suddenly. Do not attempt to remove an obstruction or blockage with your hands. Keep your hands, feet, and clothing away from all power-driven parts.

Fuel Safety

- To avoid personal injury or property damage, use extreme care in handling gasoline. Gasoline is extremely flammable and the vapors are explosive.
- Do not refuel the machine while smoking or at a location near flames or sparks.
- Always refuel the machine outdoors.
- Do not store the machine or fuel container indoors where the fumes or fuel can reach an open flame, spark, or pilot light.
- Only store fuel in an approved container. Keep out of the reach of children.
- Never fill containers inside a vehicle or on a truck or trailer bed with a plastic liner. Always place the containers on the ground away from your vehicle before filling.
- Remove the machine from the truck or trailer and refuel it on the ground. If this is not possible, refuel the machine using a portable container, rather than from a fuel dispenser nozzle.
- Never remove the fuel cap or add fuel with the engine running. Allow the engine to cool before refueling.
- Never remove the fuel cap while on a slope. Only remove the fuel cap when parked on a level surface.
- Replace the fuel tank cap and the container cap securely.
- Do not overfill the fuel tank. Only fill to the bottom of the fuel neck, do not fill the fuel neck full. Overfilling of the fuel tank could result in engine flooding, fuel leakage from the tank, and/or damage to the emissions control system.
- If fuel is spilled, do not attempt to start the engine. Move the power unit away from the fuel spill and avoid creating any source of ignition until the fuel vapors have dissipated.
- If the fuel tank must be drained, it should be drained outdoors into an approved container.
- Check the fuel lines for tightness and wear on a regular basis. Tighten or repair them as needed.
- The fuel system is equipped with a shut-off valve. Shut off the fuel when transporting the machine to and from the job, when parking the machine indoors, or when servicing the fuel system.

SAFETY



General Safety Procedures for Ventrac Power Units, Attachments, & Accessories



Hydraulic Safety

- Make sure the hydraulic connections are tight and all hydraulic hoses and tubes are in good condition. Repair any leaks and replace any damaged or deteriorated hoses or tubes before starting the machine.
- Hydraulic leaks can occur under high pressure. Hydraulic leaks require special care and attention.
- Use a piece of cardboard and a magnifying glass to locate suspected hydraulic leaks.
- Keep your body and hands away from pinhole leaks or nozzles that eject high pressure hydraulic fluid. Hydraulic fluid escaping under high pressure can penetrate the skin causing serious injury, leading to severe complications and/or secondary infections if left untreated. If hydraulic fluid is injected into the skin, seek immediate medical attention no matter how minor the injury appears.
- The hydraulic system may contain stored energy. Before performing maintenance or repairs on the hydraulic system, remove any attachments, engage the parking brake, disengage the weight transfer system (if equipped), shut off the engine, and remove the ignition key. To relieve pressure on the auxiliary hydraulic system, shut off the power unit engine and move the hydraulic control lever left and right before disconnecting the auxiliary hydraulic quick couplers.

SAFETY

Safety Decals

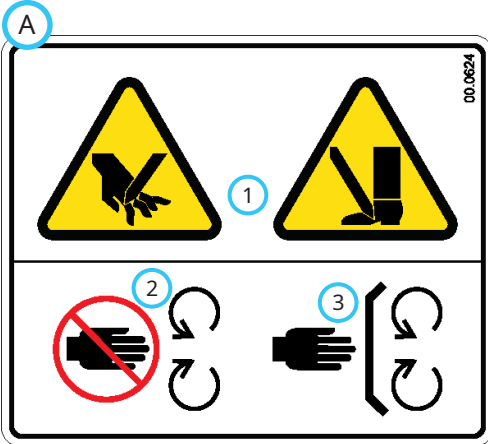
The following safety decals must be maintained on your attachment.

Keep all safety decals legible. Remove all grease, dirt, and debris from safety decals and instructional labels. If any decals are faded, illegible, or missing, contact your dealer promptly for replacements.

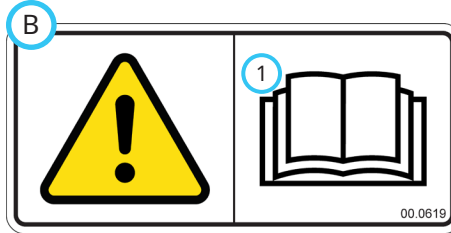
When new components are installed, be sure that current safety decals are affixed to the replacement components.



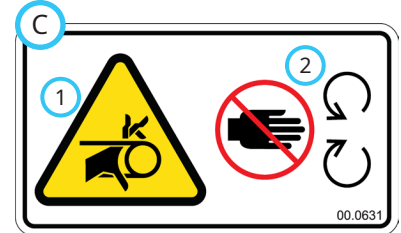
SAFETY



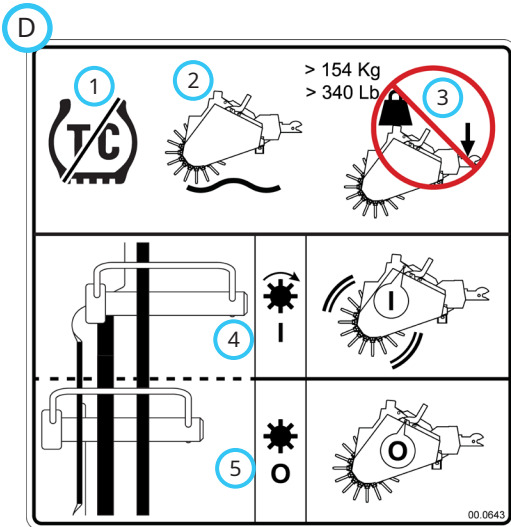
1. Cutting or puncture hazard - hand or foot.
2. Stay away from moving parts.
3. Keep all guards and shields in place.



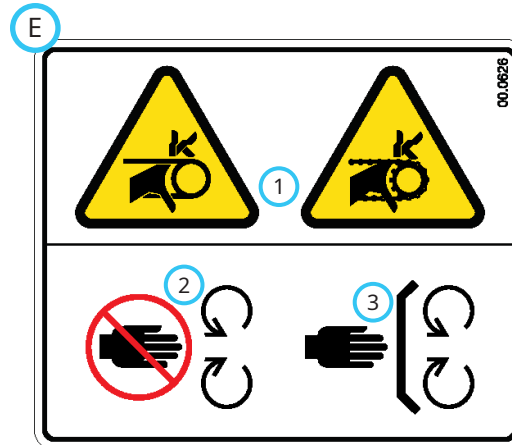
1. Warning - Read the operator's manual.



1. Finger or hand entanglement hazard.
2. Stay away from moving parts.



1. Turn off the power unit's weight transfer system.
2. Operate with the power unit's SDLA lever in the float position.
3. Do not add more than 154 kg (340 pounds) of additional weight. Do not apply front hitch down pressure to the AERA-vator.
4. Pin in the operating position.
5. Pin in the clutch lockout position.

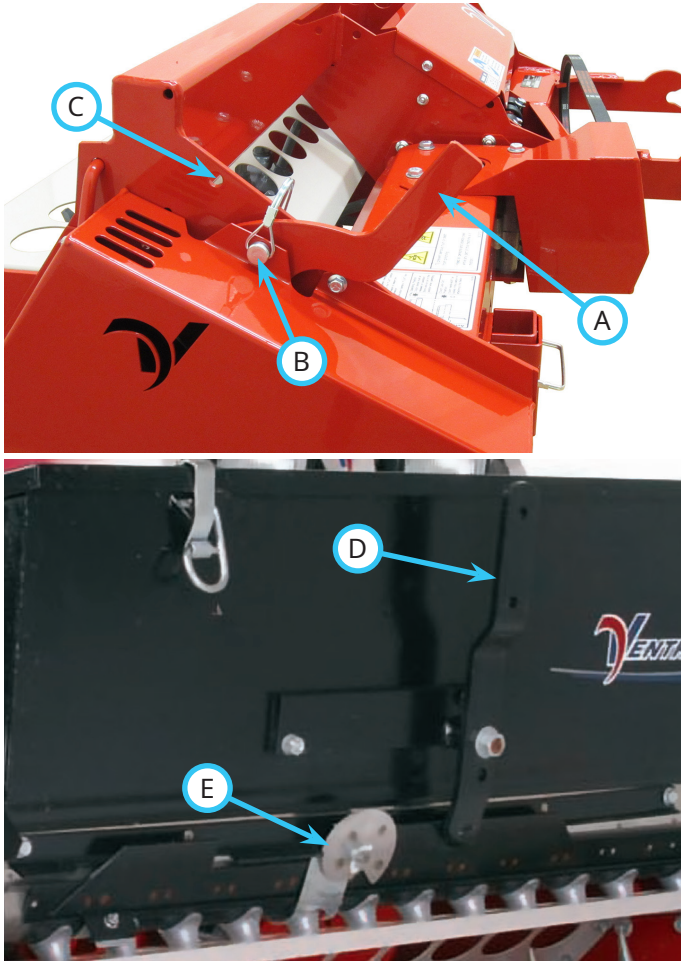


1. Fingers or hand entanglement.
2. Stay away from moving parts.
3. Keep all guards and shields in place.

Decal	Description	Part Number	Quantity
A	Cutting Hazard Hands and Feet	00.0624	2
B	Read Operator's Manual	00.0619	1
C	Finger/Hand Entanglement	00.0631	1
D	Clutch Drive Pin	00.0643	1
E	Entanglement Hazard (optional seeder)	00.0626	1

OPERATIONAL CONTROLS

Operational Control Locations



Clutch Handle (A)

After attaching to the power unit, remove the lockout pin (B) to release the clutch handle (A) and allow the clutch system to operate. Place the pin in the upper frame hole (C) for storage during operation.

Before detaching from the power unit, place the clutch handle in the lockout position and secure with the lockout pin. This positions the clutch release arm for reattachment. If the clutch handle is not secured in the lockout position prior to detachment, the handle can be manually moved to the lockout position and secured with the lockout pin.

Shut Off Lever - Optional Seeder Kit (D)

The shut off lever opens and closes the slide to control the product flow. When facing the front of the seeder, move the lever to the left until the slide stop contacts the hopper stop to close the bottom hopper openings. Move the lever to the right to open the bottom hopper openings.

Slide Gauge Cam - Optional Seeder Kit (E)

When the shut off lever is moved to the right, the slide opens until the slide gauge cam contacts the hopper stop, thereby regulating the application rate of the product. The bottom hopper openings increase as the cam is rotated from 0 to 80. When the slide gauge cam is set, it allows the slide to be closed and opened while maintaining the application rate.

12 Volt Switch - Optional Seeder Kit

The 12 volt switch* on the power unit controls power to the motor. When the motor is switched on, it turns the rotor to assure a constant flow of product to the bottom hopper openings. When the motor is switched off, the rotor stops and restricts the flow of the product, allowing only the particles in the rotor segment(s) over the bottom hopper openings to flow out.

*Refer to power unit operator's manual for operation of power unit controls.

GENERAL OPERATION

Daily Inspection

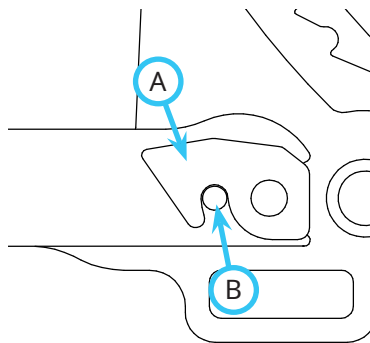
WARNING

Always engage the parking brake, shut off the power unit engine, remove the ignition key, and ensure that all moving parts have come to a complete stop before inspecting the components, or attempting any repair or adjustment.

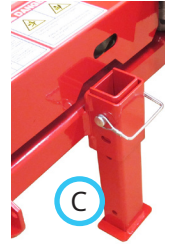
1. Park the machine on a level surface, with the engine shut off and all fluids cold.
2. Perform a visual inspection of both the power unit and the attachment. Look for loose or missing hardware, damaged components, or signs of wear.
3. If equipped with an optional seeder, inspect the seeder for loose or missing hardware and damaged or worn components.
4. Inspect the belts for damage or excessive wear. Refer to the Belt Inspection section of this manual.
5. Inspect the AERA-vator for broken or damaged tines and replace as needed.

Attaching

1. Check to ensure the AERA-vator's clutch handle is in the lockout position before attempting to attach to the power unit.
2. Disengage the power unit's weight transfer system* (if equipped).
3. Drive the power unit slowly forward into the hitch arms of the attachment. Align the lift arms of the power unit with the attachment hitch arms by raising or lowering the front hitch and complete the engagement.
4. Once completely engaged, move the front hitch latch lever* to the locked position. The latch (A) must lock over the attachment's hitch arm pin (B).
5. Engage the parking brake* and shut off the engine.
6. Place the attachment belt onto the PTO drive pulley on the power unit. Ensure the belt is properly seated in each pulley.



7. Engage the PTO belt tensioner rod*.
8. If equipped with an optional seeder, connect the electric plug to the power unit.
9. Raise the AERA-vator and move the jack stand (C) up to the operating position.
10. Remove the lockout pin from the clutch handle and place it in the upper frame hole for storage during operation.



Detaching

1. Park the power unit on a level surface, engage the parking brake*, shut off the engine, and remove the ignition key.
2. Install the clutch lockout pin through the clutch handle and AERA-vator main frame to secure the clutch handle in the lockout position.
3. Lower the AERA-vator to the ground and move the jack stand down to the storage position.
4. Disengage the PTO belt tensioner rod*.
5. Remove the attachment belt from the PTO drive pulley of the power unit.
6. If equipped with an optional seeder, disconnect the electric plug from the power unit.
7. Disengage the front hitch locking lever*.
8. Restart the power unit and slowly back away from the attachment. A side to side movement of the steering wheel may aid in disengagement.

*Refer to power unit operator's manual for operation of power unit controls.

GENERAL OPERATION

Operating Procedure

ATTENTION

The power unit's weight transfer system (if equipped) must be disengaged in order for the AERA-vator's clutch drive to function properly. Failure to disengage the weight transfer may result in premature failure of clutch drive belts.

Prior to operation, perform the daily inspection and disengage the power unit's weight transfer system (if equipped).

If applicable, confirm the seeder is properly calibrated. Load the seeder hopper with product to be applied.

ATTENTION

Road travel with product in the hopper can cause compaction of some materials, making it difficult for the motor to start. It is recommended that you load the hopper at the location where you will be applying the product.

With the power unit's engine running between 2,000 and 2,500 RPM, engage the PTO switch. Adjust the throttle until the engine is running at approximately 3,200 RPM.

Drive forward slowly while lowering the AERA-vator to the ground and engaging the 12 volt switch to start the seeder (if applicable). Place the power unit's primary SDLA lever into the float position by pushing it to the right until the detent engages. As the AERA-vator contacts the ground, the clutch will engage and tine action will begin.

The ground speed of the power unit determines the aggressiveness of the tine action. Driving slowly will give the most action for loosening soil. When using the seeder, operate at the speed used for seeder calibration in order to maintain the desired application rate.

Do not make sharp turns with the tines in the ground.

When completing a pass, turn off the seeder and begin to raise the AERA-vator before stopping the power unit's forward speed. When the AERA-vator is raised, the clutch will disengage and stop the tine action.

When using the AERA-vator on a sports field or golf course, it is advisable to use the optional rear roller to level out any bumps or unevenness.

In heavily compacted or hard soils, the AERA-vator may need additional weight to fully penetrate the ground. The main frame is built to allow the installation of up to eight Ventrac weights. The maximum weight capacity of the AERA-vator is 154 kg (340 pounds). NOTE: weights cannot be installed on the main frame if the seeder attachment kit is installed.

When the job is complete, disengage the power unit's PTO switch. Disengage the 12 volt switch to turn off the seeder and close the seeder's shut off lever (if applicable).

Empty any remaining product from the seeder's hopper by discharging onto a tarp.

Transport of the Attachment

Transport the attachment with the power unit front hitch and attachment fully raised to reduce wear of the equipment. Travel slowly when transporting over undulating and rough surfaces to maintain control of the power unit and to reduce the shock to the power unit and the attachment. Always disengage the power unit PTO before transporting the attachment.

If equipped with an optional seeder, turn off the seeder motor before transporting the AERA-vator and seeder.

GENERAL OPERATION

Seeder Calibration Procedure

ATTENTION

It is the responsibility of the operator to ensure that each material is properly calibrated in the applicator prior to application in the field. Failure to do so may cause under application with poor results, or over application which can result in poor start or excessive seed rates.

The seed rate charts are to serve only as guides in initial setting, as seeds are supplied and run under factory laboratory conditions.

Each product flows differently, requiring calibration for each product. Variations in formulations, particle size, humidity, temperature, and age of product may affect application rates.

A few minutes invested before application results in the most effective use of your seed and makes the wisest use of your turf management efforts.

Remember that flow rates can change because:

- mixes vary within the same brand or between brands.
- mixes vary between batches or years of production.
- atmospheric conditions alter the flow rate.
- poor applicator maintenance alters the flow rate.
- incorrect control/sprocket installation alters the flow rate.
- slide closure, rate gauge, or setting has been moved from the correct position.
- miscalculation of the flow rate.

To calibrate you will need to catch the material for weighing. Do not apply directly to the soil. Plan ahead to have the necessary items with you for quick calibration (e.g. a scale, recovery bags or tarpaulin, calibration tubes, and a stopwatch/timer).

Calibration takes minimal time if you are prepared to do it correctly.

1. Determine the desired application rate based on pounds per 1,000 square feet. Divide pounds per acre by 43.6 to convert to pounds per 1,000 square feet.
2. Determine the desired power unit ground speed for application.
3. Use the following chart to determine the amount of time required to cover 1,000 square feet at the desired speed. For the 405VP seeder, this would be the time to travel a distance of 200 feet.

Speed (Mph)	Time required to travel 200 feet
1/2	4 minutes and 33 seconds
1	2 minutes and 16 seconds
1-1/2	1 minute and 31 seconds
2	1 minute and 8 seconds
2-1/2	55 seconds
3	45 seconds
3-1/2	39 seconds
4	34 seconds
4-1/2	30 seconds
5	27 seconds
5-1/2	25 seconds
6	23 seconds

4. Spread a tarp to catch the product and position beneath the AERA-vator and seeder. Turn on the seeder and open the slide until a uniform flow is attained through the tubes. Slowly close the slide until the flow is estimated to be the desired application rate. Set the slide gauge cam and close the slide. Turn off the seeder and remove the product from the tarp.

ATTENTION

Do not leave the seeder motor running with the slide closed for long periods of time. This causes premature wear of the rotor vanes and could cause damage to the product (seed) in the hopper.

5. Turn on the seeder and open the shut off lever until the gauge cam contacts the hopper stop. Catch the product for the exact time required to travel 200 feet and close the shut off lever. Weigh the product caught in the tarp and compare it to the desired application rate. Adjust the gauge cam to attain the desired application rate.

ATTENTION

To maintain the desired application rate, always operate the power unit at the established speed.

GENERAL OPERATION

Seed Rate Charts

Athletic Mix 50/blu 50/rye Futura Pickseed

Cam Gauge Settings	Rate in Pounds per 1,000 Square Feet									
	@ 1.0 Mph	@ 2.0 Mph	@ 3.0 Mph	@ 4.0 Mph	@ 5.0 Mph	@ 6.0 Mph	@ 7.0 Mph	@ 8.0 Mph	@ 9.0 Mph	@ 10.0 Mph
20	0.3	0.1	0.1	0.1	0.1	0.0	0.0	0.0	0.0	0.0
21	0.3	0.2	0.1	0.1	0.1	0.1	0.0	0.0	0.0	0.0
22	0.4	0.2	0.1	0.1	0.1	0.1	0.1	0.0	0.0	0.0
23	0.4	0.2	0.1	0.1	0.1	0.1	0.1	0.1	0.0	0.0
24	0.5	0.3	0.2	0.1	0.1	0.1	0.1	0.1	0.1	0.1
25	0.6	0.3	0.2	0.1	0.1	0.1	0.1	0.1	0.1	0.1
26	0.7	0.3	0.2	0.2	0.1	0.1	0.1	0.1	0.1	0.1
27	0.8	0.4	0.3	0.2	0.2	0.1	0.1	0.1	0.1	0.1
28	0.9	0.4	0.3	0.2	0.2	0.1	0.1	0.1	0.1	0.1
29	1.0	0.5	0.3	0.2	0.2	0.2	0.1	0.1	0.1	0.1
30	1.1	0.5	0.4	0.3	0.2	0.2	0.2	0.1	0.1	0.1
31	1.3	0.7	0.4	0.3	0.3	0.2	0.2	0.2	0.1	0.1
32	1.5	0.8	0.5	0.4	0.3	0.3	0.2	0.2	0.2	0.2
33	1.8	0.9	0.6	0.5	0.4	0.3	0.3	0.2	0.2	0.2
34	2.0	1.0	0.7	0.5	0.4	0.3	0.3	0.3	0.2	0.2
35	2.3	1.1	0.8	0.6	0.5	0.4	0.3	0.3	0.3	0.2
36	2.7	1.3	0.9	0.7	0.5	0.4	0.4	0.3	0.3	0.3
37	3.0	1.5	1.0	0.8	0.6	0.5	0.4	0.4	0.3	0.3
38	3.4	1.7	1.1	0.9	0.7	0.6	0.5	0.4	0.4	0.3
39	3.8	1.9	1.3	0.9	0.8	0.6	0.5	0.5	0.4	0.4
40	4.2	2.1	1.4	1.0	0.8	0.7	0.6	0.5	0.5	0.4
41	4.6	2.3	1.5	1.2	0.9	0.8	0.7	0.5	0.5	0.5
42	5.1	2.6	1.7	1.3	1.0	0.9	0.7	0.6	0.6	0.5
43	5.6	2.8	1.9	1.4	1.1	0.9	0.8	0.7	0.6	0.6
44	6.1	3.0	2.0	1.5	1.2	1.0	0.9	0.8	0.7	0.6
45	6.5	3.3	2.2	1.6	1.3	1.1	0.9	0.8	0.7	0.7
46	7.0	3.5	2.3	1.8	1.4	1.2	1.0	0.9	0.8	0.7
47	7.6	3.8	2.5	1.9	1.5	1.3	1.1	0.9	0.8	0.8
48	8.1	4.0	2.7	2.0	1.6	1.3	1.2	1.0	0.9	0.8
49	8.6	4.3	2.9	2.1	1.7	1.4	1.2	1.1	1.0	0.9
50	9.1	4.6	3.0	2.3	1.8	1.5	1.3	1.1	1.0	0.9
51	9.7	4.8	3.2	2.4	1.9	1.6	1.4	1.2	1.1	1.0
52	10.3	5.1	3.4	2.6	2.1	1.7	1.5	1.3	1.1	1.0
53	10.9	5.4	3.5	2.7	2.2	1.8	1.6	1.4	1.2	1.1
54	11.5	5.7	3.8	2.9	2.3	1.9	1.6	1.4	1.3	1.1
55	12.0	6.0	4.0	3.0	2.4	2.0	1.7	1.5	1.3	1.2
56	12.8	6.4	4.3	3.2	2.6	2.1	1.8	1.6	1.4	1.3
57	13.6	6.8	4.5	3.4	2.7	2.3	1.9	1.7	1.5	1.4
58	14.4	7.2	4.8	3.6	2.9	2.4	2.1	1.8	1.6	1.4
59	15.2	7.6	5.1	3.8	3.0	2.5	2.2	1.9	1.7	1.5
60	16.0	8.0	5.3	4.0	3.2	2.7	2.3	2.0	1.8	1.6
61	16.8	8.4	5.6	4.2	3.4	2.8	2.4	2.1	1.9	1.7
62	17.7	8.8	5.9	4.4	3.5	2.9	2.5	2.2	2.0	1.8
63	18.5	9.3	6.2	4.6	3.7	3.1	2.6	2.3	2.1	1.9
64	19.4	9.7	6.5	4.9	3.9	3.2	2.8	2.4	2.2	1.9
65	20.3	10.1	6.8	5.1	4.1	3.4	2.9	2.5	2.3	2.0
66	21.0	10.5	7.0	5.3	4.2	3.5	3.0	2.6	2.3	2.1
67	21.8	10.9	7.3	5.5	4.4	3.6	3.1	2.7	2.4	2.2
68	22.6	11.3	7.5	5.6	4.5	3.8	3.2	2.8	2.5	2.3
69	23.4	11.7	7.8	5.8	4.7	3.9	3.3	2.9	2.6	2.3
70	24.1	12.1	8.0	6.0	4.8	4.0	3.4	3.0	2.7	2.4
71	24.5	12.2	8.2	6.1	4.9	4.1	3.5	3.1	2.7	2.4
72	24.8	12.4	8.3	6.2	5.0	4.1	3.5	3.1	2.8	2.5
73	25.2	12.6	8.4	6.3	5.0	4.2	3.6	3.1	2.8	2.5
74	25.5	12.8	8.5	6.4	5.1	4.3	3.6	3.2	2.8	2.6
75	25.9	12.9	8.6	6.5	5.2	4.3	3.7	3.2	2.9	2.6
76	26.0	13.0	8.7	6.5	5.2	4.3	3.7	3.2	2.9	2.6
77	26.1	13.1	8.7	6.5	5.2	4.4	3.7	3.3	2.9	2.6
78	26.3	13.1	8.8	6.6	5.3	4.4	3.8	3.3	2.9	2.6
79	26.4	13.2	8.8	6.6	5.3	4.4	3.8	3.3	2.9	2.6
80	26.5	13.3	8.8	6.6	5.3	4.4	3.8	3.3	2.9	2.7

GENERAL OPERATION

Athletic Mix 50/blu 50/rye Futura Pickseed

Cam Gauge Settings	Rate in Pounds per Acre									
	@ 1.0 Mph	@ 2.0 Mph	@ 3.0 Mph	@ 4.0 Mph	@ 5.0 Mph	@ 6.0 Mph	@ 7.0 Mph	@ 8.0 Mph	@ 9.0 Mph	@ 10.0 Mph
20	13.1	6.5	4.4	3.3	2.6	2.2	1.9	1.6	1.5	1.3
21	13.1	6.5	4.4	3.3	2.6	2.2	1.9	1.6	1.5	1.3
22	17.4	8.7	5.8	4.4	3.5	2.9	2.5	2.2	1.9	1.7
23	17.4	8.7	5.8	4.4	3.5	2.9	2.5	2.2	1.9	1.7
24	21.8	10.9	7.3	5.4	4.4	3.6	3.1	2.7	2.4	2.2
25	26.1	13.1	8.7	6.5	5.2	4.4	3.7	3.3	2.9	2.6
26	30.5	15.2	10.2	7.6	6.1	5.1	4.4	3.8	3.4	3.0
27	34.8	17.4	11.6	8.7	7.0	5.8	5.0	4.4	3.9	3.5
28	39.2	19.6	13.1	9.8	7.8	6.5	5.6	4.9	4.4	3.9
29	43.6	21.8	14.5	10.9	8.7	7.3	6.2	5.4	4.8	4.4
30	47.9	24.0	16.0	12.0	9.6	8.0	6.8	6.0	5.3	4.8
31	56.6	28.3	18.9	14.2	11.3	9.4	8.1	7.1	6.3	5.7
32	69.7	34.8	23.2	17.4	13.9	11.6	10.0	8.7	7.7	7.0
33	78.4	39.2	26.1	19.6	15.7	13.1	11.2	9.8	8.7	7.8
34	87.1	43.6	29.0	21.8	17.4	14.5	12.4	10.9	9.7	8.7
35	100.2	50.1	33.4	25.0	20.0	16.7	14.3	12.5	11.1	10.0
36	117.6	58.8	39.2	29.4	23.5	19.6	16.8	14.7	13.1	11.8
37	130.7	65.3	43.6	32.7	26.1	21.8	18.7	16.3	14.5	13.1
38	148.1	74.1	49.4	37.0	29.6	24.7	21.2	18.5	16.5	14.8
39	165.5	82.8	55.2	41.4	33.1	27.6	23.6	20.7	18.4	16.6
40	183.0	91.5	61.0	45.7	36.6	30.5	26.1	22.9	20.3	18.3
41	200.4	100.2	66.8	50.1	40.1	33.4	28.6	25.0	22.3	20.0
42	222.2	111.1	74.1	55.5	44.4	37.0	31.7	27.8	24.7	22.2
43	243.9	122.0	81.3	61.0	48.8	40.7	34.8	30.5	27.1	24.4
44	265.7	132.9	88.6	66.4	53.1	44.3	38.0	33.2	29.5	26.6
45	283.1	141.6	94.4	70.8	56.6	47.2	40.4	35.4	31.5	28.3
46	304.9	152.5	101.6	76.2	61.0	50.8	43.6	38.1	33.9	30.5
47	331.1	165.5	110.4	82.8	66.2	55.2	47.3	41.4	36.8	33.1
48	352.8	176.4	117.6	88.2	70.6	58.8	50.4	44.1	39.2	35.3
49	370.3	185.1	123.4	92.6	74.1	61.7	52.9	46.3	41.1	37.0
50	396.4	198.2	132.1	99.1	79.3	66.1	56.6	49.5	44.0	39.6
51	422.5	211.3	140.8	105.6	84.5	70.4	60.4	52.8	46.9	42.3
52	448.7	224.3	149.6	112.2	89.7	74.8	64.1	56.1	49.9	44.9
53	474.8	237.4	158.3	118.7	95.0	79.1	67.8	59.4	52.8	47.5
54	500.9	250.5	167.0	125.2	100.2	83.5	71.6	62.6	55.7	50.1
55	522.7	261.4	174.2	130.7	104.5	87.1	74.7	65.3	58.1	52.3
56	557.6	278.8	185.9	139.4	111.5	92.9	79.7	69.7	62.0	55.8
57	592.4	296.2	197.5	148.1	118.5	98.7	84.6	74.1	65.8	59.2
58	627.3	313.6	209.1	156.8	125.5	104.5	89.6	78.4	69.7	62.7
59	662.1	331.1	220.7	165.5	132.4	110.4	94.6	82.8	73.6	66.2
60	697.0	348.5	232.3	174.2	139.4	116.2	99.5	87.1	77.4	69.7
61	731.8	365.9	243.9	183.0	146.4	122.0	104.5	91.5	81.3	73.2
62	771.0	385.5	257.0	192.8	154.2	128.5	110.1	96.4	85.7	77.1
63	805.9	402.9	268.6	201.5	161.2	134.3	115.1	100.7	89.5	80.6
64	845.1	422.5	281.7	211.3	169.0	140.8	120.7	105.6	93.9	84.5
65	884.3	442.1	294.8	221.1	176.9	147.4	126.3	110.5	98.3	88.4
66	914.8	457.4	304.9	228.7	183.0	152.5	130.7	114.3	101.6	91.5
67	949.6	474.8	316.5	237.4	189.9	158.3	135.7	118.7	105.5	95.0
68	984.5	492.2	328.2	246.1	196.9	164.1	140.6	123.1	109.4	98.4
69	1019.3	509.7	339.8	254.8	203.9	169.9	145.6	127.4	113.3	101.9
70	1049.8	524.9	349.9	262.4	210.0	175.0	150.0	131.2	116.6	105.0
71	1067.2	533.6	355.7	266.8	213.4	177.9	152.5	133.4	118.6	106.7
72	1080.3	540.1	360.1	270.1	216.1	180.0	154.3	135.0	120.0	108.0
73	1097.7	548.9	365.9	274.4	219.5	183.0	156.8	167.2	122.0	109.8
74	1110.8	555.4	370.3	277.7	222.2	185.1	158.7	138.8	123.4	111.1
75	1128.2	564.1	376.1	282.1	225.6	188.0	161.2	141.0	125.4	112.8
76	1132.6	566.3	377.5	283.1	226.5	188.8	161.8	141.6	125.8	113.3
77	1136.9	568.5	379.0	284.2	227.4	189.5	162.4	142.1	126.3	113.7
78	1145.6	572.8	381.9	286.4	229.1	190.9	163.7	143.2	127.3	114.6
79	1150.0	575.0	383.3	287.5	230.0	191.7	164.3	143.7	127.8	115.0
80	1154.3	577.2	384.8	288.6	230.9	192.4	164.9	144.3	128.3	115.4

GENERAL OPERATION

Centipede Seed Prime Turf

Cam Gauge Settings	Rate in Pounds per 1,000 Square Feet									
	@ 1.0 Mph	@ 2.0 Mph	@ 3.0 Mph	@ 4.0 Mph	@ 5.0 Mph	@ 6.0 Mph	@ 7.0 Mph	@ 8.0 Mph	@ 9.0 Mph	@ 10.0 Mph
3	0.1	0.0	0.0	0.0	0.0	0.0	0.0	0.0	0.0	0.0
4	0.3	0.1	0.1	0.1	0.1	0.0	0.0	0.0	0.0	0.0
5	0.4	0.2	0.1	0.1	0.1	0.1	0.1	0.1	0.0	0.0
6	0.7	0.3	0.2	0.2	0.1	0.1	0.1	0.1	0.1	0.1
7	0.9	0.4	0.3	0.2	0.2	0.1	0.1	0.1	0.1	0.1
8	1.1	0.5	0.4	0.3	0.2	0.2	0.2	0.1	0.1	0.1
9	1.4	0.7	0.5	0.3	0.3	0.2	0.2	0.2	0.2	0.1
10	1.6	0.8	0.5	0.4	0.3	0.3	0.2	0.2	0.2	0.2
11	1.9	1.0	0.6	0.5	0.4	0.3	0.3	0.2	0.2	0.2
12	2.3	1.1	0.8	0.6	0.5	0.4	0.3	0.3	0.3	0.2
13	2.6	1.3	0.9	0.6	0.5	0.4	0.4	0.3	0.3	0.3
14	3.0	1.5	1.0	0.8	0.6	0.5	0.4	0.4	0.3	0.3
15	3.5	1.8	1.2	0.9	0.7	0.6	0.5	0.4	0.4	0.4
16	4.0	2.0	1.3	1.0	0.8	0.7	0.6	0.5	0.4	0.4
17	4.5	2.2	1.5	1.1	0.9	0.7	0.6	0.6	0.5	0.4
18	4.9	2.5	1.6	1.2	1.0	0.8	0.7	0.6	0.5	0.5
19	5.7	2.9	1.9	1.4	1.1	1.0	0.8	0.7	0.6	0.6
20	6.5	3.2	2.2	1.6	1.3	1.1	0.9	0.9	0.7	0.6
21	7.1	3.6	2.4	1.8	1.4	1.2	1.0	0.9	0.8	0.7
22	7.8	3.9	2.6	1.9	1.6	1.3	1.1	1.0	0.9	0.8
23	8.5	4.2	2.8	2.1	1.7	1.4	1.2	1.1	0.9	0.8
24	9.6	4.8	3.2	2.4	1.9	1.6	1.4	1.2	1.1	1.0
25	10.7	5.3	3.6	2.7	2.1	1.8	1.5	1.3	1.2	1.1

GENERAL OPERATION

Centipede Seed Prime Turf

Cam Gauge Settings	Rate in Pounds per Acre									
	@ 1.0 Mph	@ 2.0 Mph	@ 3.0 Mph	@ 4.0 Mph	@ 5.0 Mph	@ 6.0 Mph	@ 7.0 Mph	@ 8.0 Mph	@ 9.0 Mph	@ 10.0 Mph
3	4.0	2.0	1.3	1.0	0.8	0.7	0.6	0.5	0.4	0.4
4	11.7	5.8	3.9	2.9	2.3	1.9	1.7	1.5	1.3	1.2
5	19.4	9.7	6.5	4.8	3.9	3.2	2.8	2.4	2.2	1.9
6	28.6	14.3	9.5	7.2	5.7	4.8	4.1	3.6	3.2	2.9
7	37.9	19.0	12.6	9.5	7.6	6.3	5.4	4.7	4.2	3.8
8	47.2	23.6	15.7	11.8	9.4	7.9	6.7	5.9	5.2	4.7
9	59.2	29.6	19.7	14.8	11.8	9.9	8.5	7.4	6.6	5.9
10	71.2	35.6	23.7	17.8	14.2	11.9	10.2	8.9	7.9	7.1
11	84.7	42.3	28.2	21.2	16.9	14.1	12.1	10.6	9.4	8.6
12	98.2	49.1	32.7	24.6	19.6	16.4	14.0	12.3	10.9	9.8
13	111.8	55.9	37.3	27.9	22.4	18.6	16.0	14.0	12.4	11.2
14	132.4	66.2	44.1	33.1	26.5	22.1	18.9	16.6	14.7	13.2
15	153.1	76.6	51.0	38.3	30.6	25.5	21.9	19.1	17.0	15.3
16	173.6	86.8	57.9	43.4	34.7	28.9	24.8	21.7	19.3	17.4
17	194.2	97.1	64.7	48.5	38.8	32.4	27.7	24.3	21.6	19.4
18	214.7	107.4	71.6	53.7	42.9	35.8	30.7	26.8	23.9	21.5
19	248.4	124.2	82.8	62.1	49.7	41.4	35.5	31.0	27.6	24.8
20	282.0	141.0	94.0	70.5	56.4	47.0	40.3	35.3	31.3	28.2
21	310.7	155.3	103.6	77.7	62.1	51.8	44.4	38.8	34.5	31.1
22	339.4	169.7	113.1	84.8	67.9	56.6	48.5	42.4	37.7	33.9
23	368.1	184.0	122.7	92.0	73.6	61.3	52.6	46.0	40.9	36.8
24	416.7	208.3	138.9	104.2	83.3	69.4	59.5	52.1	46.3	41.7
25	465.3	232.7	155.1	116.3	93.1	77.6	66.5	58.2	51.7	46.5

GENERAL OPERATION

Penncross Creeping Bentgrass

Cam Gauge Settings	Rate in Pounds per 1,000 Square Feet									
	@ 1.0 Mph	@ 2.0 Mph	@ 3.0 Mph	@ 4.0 Mph	@ 5.0 Mph	@ 6.0 Mph	@ 7.0 Mph	@ 8.0 Mph	@ 9.0 Mph	@ 10.0 Mph
5	0.2	0.1	0.1	0.1	0.0	0.0	0.0	0.0	0.0	0.0
6	0.4	0.2	0.1	0.1	0.1	0.1	0.1	0.0	0.0	0.0
7	0.5	0.2	0.2	0.1	0.1	0.1	0.1	0.1	0.1	0.0
8	0.6	0.3	0.2	0.2	0.1	0.1	0.1	0.1	0.1	0.1
9	0.7	0.4	0.2	0.2	0.1	0.1	0.1	0.1	0.1	0.1
10	0.9	0.4	0.3	0.2	0.2	0.1	0.1	0.1	0.1	0.1
11	1.1	0.5	0.4	0.3	0.2	0.2	0.2	0.1	0.1	0.1
12	1.3	0.6	0.4	0.3	0.3	0.2	0.2	0.2	0.1	0.1
13	1.5	0.8	0.5	0.4	0.3	0.3	0.2	0.2	0.2	0.2
14	1.7	0.9	0.6	0.4	0.3	0.3	0.2	0.2	0.2	0.2
15	1.9	1.0	0.6	0.5	0.4	0.3	0.3	0.2	0.2	0.2
16	2.3	1.1	0.8	0.6	0.5	0.4	0.3	0.3	0.3	0.2
17	2.6	1.3	0.9	0.7	0.5	0.4	0.4	0.3	0.3	0.3
18	2.9	1.5	1.0	0.7	0.6	0.5	0.4	0.4	0.3	0.3
19	3.3	1.6	1.1	0.8	0.7	0.5	0.5	0.4	0.4	0.3
20	3.6	1.8	1.2	0.9	0.7	0.6	0.5	0.5	0.4	0.4
21	4.1	2.1	1.4	1.0	0.8	0.7	0.6	0.5	0.5	0.4
22	4.6	2.3	1.5	1.2	0.9	0.8	0.7	0.6	0.5	0.5
23	5.1	2.6	1.7	1.3	1.0	0.9	0.7	0.6	0.6	0.5
24	5.6	2.8	1.9	1.4	1.1	0.9	0.8	0.7	0.6	0.6
25	6.1	3.1	2.0	1.5	1.2	1.0	0.9	0.8	0.7	0.6
26	6.7	3.4	2.2	1.7	1.3	1.1	1.0	0.8	0.7	0.7
27	7.3	3.6	2.4	1.8	1.5	1.2	1.0	0.9	0.8	0.7
28	7.9	3.9	2.6	2.0	1.6	1.3	1.1	1.0	0.9	0.8
29	8.5	4.2	2.8	2.1	1.7	1.4	1.2	1.1	0.9	0.8
30	9.1	4.5	3.0	2.3	1.8	1.5	1.3	1.1	1.0	0.9
31	9.8	4.9	3.3	2.4	2.0	1.6	1.4	1.2	1.1	1.0
32	10.5	5.3	3.5	2.6	2.1	1.8	1.5	1.3	1.2	1.1
33	11.3	5.6	3.8	2.8	2.3	1.9	1.6	1.4	1.3	1.1
34	12.0	6.0	4.0	3.0	2.4	2.0	1.7	1.5	1.3	1.2
35	12.7	6.4	4.2	3.2	2.5	2.1	1.8	1.6	1.4	1.3
36	13.7	6.9	4.6	3.4	2.7	2.3	2.0	1.7	1.5	1.4
37	14.7	7.4	4.9	3.7	2.9	2.5	2.1	1.8	1.6	1.5
38	15.7	7.8	5.2	3.9	3.1	2.6	2.2	2.0	1.7	1.6
39	16.7	8.3	5.6	4.2	3.3	2.8	2.4	2.1	1.9	1.7
40	17.7	8.8	5.9	4.4	3.5	2.9	2.5	2.2	2.0	1.8

GENERAL OPERATION

Penncross Creeping Bentgrass

Cam Gauge Settings	Rate in Pounds per Acre									
	@ 1.0 Mph	@ 2.0 Mph	@ 3.0 Mph	@ 4.0 Mph	@ 5.0 Mph	@ 6.0 Mph	@ 7.0 Mph	@ 8.0 Mph	@ 9.0 Mph	@ 10.0 Mph
5	8.7	4.4	2.9	2.2	1.7	1.5	1.2	1.1	1.0	0.9
6	17.4	8.7	5.8	4.4	3.5	2.9	2.5	2.2	1.9	1.7
7	21.8	10.9	7.3	5.4	4.4	3.6	3.1	2.7	2.4	2.2
8	26.1	13.1	8.7	6.5	5.2	4.4	3.7	3.3	2.9	2.6
9	30.5	15.2	10.2	7.6	6.1	5.1	4.4	3.8	3.4	3.0
10	39.2	19.6	13.1	9.8	7.8	6.5	5.6	4.9	4.4	3.9
11	47.9	24.0	16.0	12.0	9.6	8.0	6.8	6.0	5.3	4.8
12	56.6	28.3	18.9	14.2	11.3	9.4	8.1	7.1	6.3	5.7
13	65.3	32.7	21.8	16.3	13.1	10.9	9.3	8.2	7.3	6.5
14	74.1	37.0	24.7	18.5	14.8	12.3	10.6	9.3	8.2	7.4
15	82.8	41.4	27.6	20.7	16.6	13.8	11.8	10.3	9.2	8.3
16	100.2	50.1	33.4	25.0	20.0	16.7	14.3	12.5	11.1	10.0
17	113.3	56.6	37.8	28.3	22.7	18.9	16.2	14.2	12.6	11.3
18	126.3	63.2	42.1	31.6	25.3	21.1	18.0	15.8	14.0	12.6
19	143.7	71.9	47.9	35.9	28.7	24.0	20.5	18.0	16.0	14.4
20	156.8	78.4	52.3	39.2	31.4	26.1	22.4	19.6	17.4	15.7
21	178.6	89.3	59.5	44.6	35.7	29.8	25.5	22.3	19.8	17.9
22	200.4	100.2	66.8	50.1	40.1	33.4	28.6	25.0	22.3	20.0
23	222.2	111.1	74.1	55.5	44.4	37.0	31.7	27.8	24.7	22.2
24	243.9	122.0	81.3	61.0	48.8	40.7	34.8	30.5	27.1	24.4
25	265.7	132.9	88.6	66.4	53.1	44.3	38.0	33.2	29.5	26.6
26	291.9	145.9	97.3	73.0	58.4	48.6	41.7	36.5	32.4	29.2
27	318.0	159.0	106.0	79.5	63.6	53.0	45.4	39.7	35.3	31.8
28	344.1	172.1	114.7	86.0	68.8	57.4	49.2	43.0	38.2	34.4
29	370.3	185.1	123.4	92.6	74.1	61.7	52.9	46.3	41.1	37.0
30	396.4	198.2	132.1	99.1	79.3	66.1	56.6	49.5	44.0	39.6
31	426.9	213.4	142.3	106.7	85.4	71.1	61.0	53.4	47.4	42.7
32	457.4	228.7	152.5	114.3	91.5	76.2	65.3	57.2	50.8	45.7
33	492.2	246.1	164.1	123.1	98.4	82.0	70.3	61.5	54.7	49.2
34	522.7	261.4	174.2	130.7	104.5	87.1	74.7	65.3	58.1	52.3
35	553.2	276.6	184.4	138.3	110.6	92.2	79.0	69.2	61.5	55.3
36	596.8	298.4	198.9	149.2	119.4	99.5	85.3	74.6	66.3	59.7
37	640.3	320.2	213.4	160.1	128.1	106.7	91.5	80.0	71.1	64.0
38	683.9	341.9	228.0	171.0	136.8	114.0	97.7	85.5	76.0	68.4
39	727.5	363.7	242.5	181.9	145.5	121.2	103.9	90.9	80.8	72.7
40	771.0	385.5	257.0	192.8	154.2	128.5	110.1	96.4	85.7	77.1

GENERAL OPERATION

Pyramid Bermuda Grass International Seeds Inc.

Cam Gauge Settings	Rate in Pounds per 1,000 Square Feet									
	@ 1.0 Mph	@ 2.0 Mph	@ 3.0 Mph	@ 4.0 Mph	@ 5.0 Mph	@ 6.0 Mph	@ 7.0 Mph	@ 8.0 Mph	@ 9.0 Mph	@ 10.0 Mph
5	0.7	0.4	0.2	0.2	0.1	0.1	0.1	0.1	0.1	0.1
6	1.1	0.5	0.4	0.3	0.2	0.2	0.2	0.1	0.1	0.1
7	1.4	0.7	0.5	0.4	0.3	0.2	0.2	0.2	0.2	0.1
8	1.8	0.9	0.6	0.4	0.4	0.3	0.3	0.2	0.2	0.2
9	2.1	1.1	0.7	0.5	0.4	0.4	0.3	0.3	0.2	0.2
10	2.5	1.2	0.8	0.6	0.5	0.4	0.4	0.3	0.3	0.2
11	3.1	1.5	1.0	0.8	0.6	0.5	0.4	0.4	0.3	0.3
12	3.6	1.8	1.2	0.9	0.7	0.6	0.5	0.5	0.4	0.4
13	4.2	2.1	1.4	1.0	0.8	0.7	0.6	0.5	0.5	0.4
14	4.7	2.4	1.6	1.2	0.9	0.8	0.7	0.6	0.5	0.5
15	5.3	2.6	1.8	1.3	1.1	0.9	0.8	0.7	0.6	0.5
16	6.1	3.0	2.0	1.5	1.2	1.0	0.9	0.8	0.7	0.6
17	6.9	3.4	2.3	1.7	1.4	1.1	1.0	0.9	0.8	0.7
18	7.6	3.8	2.5	1.9	1.5	1.3	1.1	1.0	0.8	0.8
19	8.4	4.2	2.8	2.1	1.7	1.4	1.2	1.1	0.9	0.8
20	9.2	4.6	3.1	2.3	1.8	1.5	1.3	1.2	1.0	0.9
21	10.3	5.2	3.4	2.6	2.1	1.7	1.5	1.3	1.1	1.0
22	11.5	5.7	3.8	2.9	2.3	1.9	1.6	1.4	1.3	1.1
23	12.6	6.3	4.2	3.2	2.5	2.1	1.8	1.6	1.4	1.3
24	13.8	6.9	4.6	3.4	2.8	2.3	2.0	1.7	1.5	1.4
25	14.9	7.5	5.0	3.7	3.0	2.5	2.1	1.9	1.7	1.5
26	16.4	8.2	5.5	4.1	3.3	2.7	2.3	2.0	1.8	1.6
27	17.9	8.9	6.0	4.5	3.6	3.0	2.6	2.2	2.0	1.8
28	19.4	9.7	6.5	4.8	3.9	3.2	2.8	2.4	2.2	1.9
29	20.8	10.4	6.9	5.2	4.2	3.5	3.0	2.6	2.3	2.1
30	22.3	11.2	7.4	5.6	4.5	3.7	3.2	2.8	2.5	2.2
31	24.3	12.1	8.1	6.1	4.9	4.0	3.5	3.0	2.7	2.4
32	26.2	13.1	8.7	6.6	5.2	4.4	3.7	3.3	2.9	2.6
33	28.1	14.1	9.4	7.0	5.6	4.7	4.0	3.5	3.1	2.8
34	30.1	15.0	10.0	7.5	6.0	5.0	4.3	3.8	3.3	3.0
35	32.0	16.0	10.7	8.0	6.4	5.3	4.6	4.0	3.6	3.2

GENERAL OPERATION

Pyramid Bermuda Grass International Seeds Inc.

Cam Gauge Settings	Rate in Pounds per Acres									
	@ 1.0 Mph	@ 2.0 Mph	@ 3.0 Mph	@ 4.0 Mph	@ 5.0 Mph	@ 6.0 Mph	@ 7.0 Mph	@ 8.0 Mph	@ 9.0 Mph	@ 10.0 Mph
5	30.5	15.2	10.2	7.6	6.1	5.1	4.4	3.8	3.4	3.0
6	47.9	24.0	16.0	12.0	9.6	8.0	6.8	6.0	5.3	4.8
7	61.0	30.5	20.3	15.2	12.2	10.2	8.7	7.6	6.8	6.1
8	78.4	39.2	26.1	19.6	15.7	13.1	11.2	9.8	8.7	7.8
9	91.5	45.7	30.5	22.9	18.3	15.2	13.1	11.4	10.2	9.1
10	108.9	54.5	36.3	27.2	21.8	18.2	15.6	13.6	12.1	10.9
11	135.0	67.5	45.0	33.8	27.0	22.5	19.3	16.9	15.0	13.5
12	156.8	78.4	52.3	39.2	31.4	26.1	22.4	19.6	17.4	15.7
13	183.0	91.5	61.0	45.7	36.6	30.5	26.1	22.9	20.3	18.3
14	204.7	102.4	68.2	51.2	40.9	34.1	29.2	25.6	22.7	20.5
15	230.9	115.4	77.0	57.7	46.2	38.5	33.0	28.9	25.7	23.1
16	265.7	132.9	88.6	66.4	53.1	44.3	38.0	33.2	29.5	26.6
17	300.6	150.3	100.2	75.1	60.1	50.1	42.9	37.6	33.4	30.1
18	331.1	165.5	110.4	82.8	66.2	55.2	47.3	41.4	36.8	33.1
19	365.9	183.0	122.0	91.5	73.2	61.0	52.3	45.7	40.7	36.6
20	400.8	200.4	133.6	100.2	80.2	66.8	57.3	50.1	44.5	40.1
21	448.7	224.3	149.6	112.2	89.7	74.8	64.1	56.1	49.9	44.9
22	500.9	250.5	167.0	125.2	100.2	83.5	71.6	62.6	55.7	50.1
23	548.9	274.4	183.0	137.2	109.8	91.5	78.4	68.6	61.0	54.9
24	601.1	300.6	200.4	150.3	120.2	100.2	85.9	75.1	66.8	60.1
25	649.0	324.5	216.3	162.3	129.8	108.2	92.7	81.1	72.1	64.9
26	714.4	357.2	238.1	178.6	142.9	119.1	102.1	89.3	79.4	71.4
27	779.7	389.9	259.9	194.9	155.9	130.0	111.4	97.5	86.6	78.0
28	845.1	422.5	281.7	211.3	169.0	140.8	120.7	105.6	93.9	84.5
29	906.0	453.0	302.0	226.5	181.2	151.0	129.4	113.3	100.7	90.6
30	971.4	485.7	323.8	242.8	194.3	161.9	138.8	121.4	107.9	97.1
31	1058.5	529.3	352.8	264.6	211.7	176.4	151.2	132.3	117.6	105.9
32	1141.3	570.6	380.4	285.3	228.3	190.2	163.0	142.7	126.8	114.1
33	1224.0	612.0	408.0	306.0	244.8	204.0	174.9	153.0	136.0	122.4
34	1311.2	655.6	437.1	327.8	262.2	218.5	187.3	163.9	145.7	131.1
35	1393.9	697.0	464.6	348.5	278.8	232.3	199.1	174.2	154.9	139.4

GENERAL OPERATION

Flowers and Grass Pickseed West

Cam Gauge Settings	Rate in Pounds per 1,000 Square Feet									
	@ 1.0 Mph	@ 2.0 Mph	@ 3.0 Mph	@ 4.0 Mph	@ 5.0 Mph	@ 6.0 Mph	@ 7.0 Mph	@ 8.0 Mph	@ 9.0 Mph	@ 10.0 Mph
20	0.3	0.1	0.1	0.1	0.1	0.0	0.0	0.0	0.0	0.0
21	0.3	0.2	0.1	0.1	0.1	0.1	0.0	0.0	0.0	0.0
22	0.3	0.2	0.1	0.1	0.1	0.1	0.0	0.0	0.0	0.0
23	0.4	0.2	0.1	0.1	0.1	0.1	0.1	0.0	0.0	0.0
24	0.4	0.2	0.1	0.1	0.1	0.1	0.1	0.1	0.0	0.0
25	0.4	0.2	0.1	0.1	0.1	0.1	0.1	0.1	0.0	0.0
26	0.5	0.3	0.2	0.1	0.1	0.1	0.1	0.1	0.1	0.1
27	0.6	0.3	0.2	0.1	0.1	0.1	0.1	0.1	0.1	0.1
28	0.6	0.3	0.2	0.2	0.1	0.1	0.1	0.1	0.1	0.1
29	0.7	0.3	0.2	0.2	0.1	0.1	0.1	0.1	0.1	0.1
30	0.7	0.4	0.2	0.2	0.1	0.1	0.1	0.1	0.1	0.1
31	0.5	0.4	0.3	0.2	0.2	0.1	0.1	0.1	0.1	0.1
32	0.9	0.4	0.3	0.2	0.2	0.1	0.1	0.1	0.1	0.1
33	1.0	0.5	0.3	0.2	0.2	0.2	0.1	0.1	0.1	0.1
34	1.0	0.5	0.3	0.3	0.2	0.2	0.1	0.1	0.1	0.1
35	1.1	0.6	0.4	0.3	0.2	0.2	0.2	0.1	0.1	0.1
36	1.2	0.6	0.4	0.3	0.2	0.2	0.2	0.2	0.1	0.1
37	1.3	0.7	0.4	0.3	0.3	0.2	0.2	0.2	0.1	0.1
38	1.4	0.7	0.5	0.4	0.3	0.2	0.2	0.2	0.2	0.1
39	1.5	0.8	0.5	0.4	0.3	0.3	0.2	0.2	0.2	0.2
40	1.6	0.8	0.5	0.4	0.3	0.3	0.2	0.2	0.2	0.2
41	1.8	0.9	0.6	0.5	0.4	0.3	0.3	0.2	0.2	0.2
42	2.1	1.0	0.7	0.5	0.4	0.3	0.3	0.3	0.2	0.2
43	2.3	1.1	0.8	0.6	0.5	0.4	0.3	0.3	0.3	0.2
44	2.5	1.2	0.8	0.6	0.5	0.4	0.4	0.3	0.3	0.2
45	2.7	1.4	0.9	0.7	0.5	0.5	0.4	0.3	0.3	0.3
46	3.0	1.5	1.0	0.7	0.6	0.5	0.4	0.4	0.3	0.3
47	3.3	1.6	1.1	0.8	0.7	0.5	0.5	0.4	0.4	0.3
48	3.6	1.8	1.2	0.9	0.7	0.6	0.5	0.4	0.4	0.4
49	3.9	1.9	1.3	1.0	0.8	0.6	0.6	0.5	0.4	0.4
50	4.1	2.1	1.4	1.0	0.8	0.7	0.6	0.5	0.5	0.4
51	4.6	2.3	1.5	1.1	0.9	0.5	0.7	0.6	0.5	0.5
52	5.0	2.5	1.7	1.3	1.0	0.5	0.7	0.6	0.6	0.5
53	5.5	2.7	1.8	1.4	1.1	0.9	0.5	0.7	0.6	0.5
54	5.9	3.0	2.0	1.5	1.2	1.0	0.8	0.7	0.7	0.6
55	6.4	3.2	2.1	1.6	1.3	1.1	0.9	0.8	0.7	0.6
56	6.7	3.4	2.2	1.7	1.3	1.1	1.0	0.8	0.7	0.7
57	7.1	3.5	2.4	1.8	1.4	1.2	1.0	0.9	0.8	0.7
58	7.5	3.7	2.5	1.9	1.5	1.2	1.1	0.9	0.8	0.7
59	7.8	3.9	2.6	2.0	1.6	1.3	1.1	1.0	0.9	0.8
60	8.2	4.1	2.7	2.1	1.6	1.4	1.2	1.0	0.9	0.8
61	8.6	4.3	2.9	2.2	1.7	1.4	1.2	1.1	1.0	0.9
62	9.1	4.5	3.0	2.3	1.8	1.5	1.3	1.1	1.0	0.9
63	9.5	4.8	3.2	2.4	1.9	1.6	1.4	1.2	1.1	1.0
64	10.0	5.0	3.3	2.5	2.0	1.7	1.4	1.2	1.1	1.0
65	10.4	5.2	3.5	2.6	2.1	1.7	1.5	1.3	1.2	1.0
66	10.8	5.4	3.6	2.7	2.2	1.8	1.5	1.4	1.2	1.1
67	11.3	5.6	3.8	2.8	2.3	1.9	1.6	1.4	1.3	1.1
68	11.7	5.8	3.9	2.9	2.3	1.9	1.7	1.5	1.3	1.2
69	12.1	6.1	4.0	3.0	2.4	2.0	1.7	1.5	1.3	1.2
70	12.6	6.3	4.2	3.1	2.5	2.1	1.8	1.6	1.4	1.3
71	12.9	6.4	4.3	3.2	2.6	2.1	1.8	1.6	1.4	1.3
72	13.2	6.6	4.4	3.3	2.6	2.2	1.9	1.6	1.5	1.3
73	13.5	6.7	4.5	3.4	2.7	2.2	1.9	1.7	1.5	1.3
74	13.8	6.9	4.6	3.5	2.8	2.3	2.0	1.7	1.5	1.4
75	14.1	7.1	4.7	3.5	2.8	2.4	2.0	1.8	1.6	1.4
76	14.2	7.1	4.7	3.6	2.8	2.4	2.0	1.8	1.6	1.4
77	14.3	7.2	4.8	3.6	2.9	2.4	2.0	1.8	1.6	1.4
78	14.4	7.2	4.8	3.6	2.9	2.4	2.1	1.8	1.6	1.4
79	14.5	7.3	4.8	3.6	2.9	2.4	2.1	1.8	1.6	1.5
80	14.6	7.3	4.9	3.7	2.9	2.4	2.1	1.8	1.6	1.5

GENERAL OPERATION

Flowers and Grass Pickseed West

Cam Gauge Settings	Rate in Pounds per Acres									
	@ 1.0 Mph	@ 2.0 Mph	@ 3.0 Mph	@ 4.0 Mph	@ 5.0 Mph	@ 6.0 Mph	@ 7.0 Mph	@ 8.0 Mph	@ 9.0 Mph	@ 10.0 Mph
20	13.1	6.5	4.4	3.3	2.6	2.2	1.9	1.6	1.5	1.3
21	13.1	6.5	4.4	3.3	2.6	2.2	1.9	1.6	1.5	1.3
22	13.1	6.5	4.4	3.3	2.6	2.2	1.9	1.6	1.5	1.3
23	17.4	8.7	5.8	4.4	3.5	2.9	2.5	2.2	1.9	1.7
24	17.4	8.7	5.8	4.4	3.5	2.9	2.5	2.2	1.9	1.7
25	17.4	8.7	5.8	4.4	3.5	2.9	2.5	2.2	1.9	1.7
26	21.8	10.9	7.3	5.4	4.4	3.6	3.1	2.7	2.4	2.2
27	26.1	13.1	8.7	6.5	5.2	4.4	3.7	3.3	2.9	2.6
28	26.1	13.1	8.7	6.5	5.2	4.4	3.7	3.3	2.9	2.6
29	30.5	15.2	10.2	7.6	6.1	5.1	4.4	3.8	3.4	3.0
30	30.5	15.2	10.2	7.6	6.1	5.1	4.4	3.8	3.4	3.0
31	34.8	17.4	11.6	8.7	7.0	5.8	5.0	4.4	3.9	3.5
32	39.2	19.6	13.1	9.8	7.8	6.5	5.6	4.9	4.4	3.9
33	43.6	21.8	14.5	10.9	8.7	7.3	6.2	5.4	4.8	4.4
34	43.6	21.8	14.5	10.9	8.7	7.3	6.2	5.4	4.8	4.4
35	47.9	24.0	16.0	12.0	9.6	8.0	6.8	6.0	5.3	4.8
36	52.3	26.1	17.4	13.1	10.5	8.7	7.5	6.5	5.8	5.2
37	56.6	28.3	18.9	14.2	11.3	9.4	8.1	7.1	6.3	5.7
38	61.0	30.5	20.3	15.2	12.2	10.2	8.7	7.6	6.8	6.1
39	65.3	32.7	21.8	16.3	13.1	10.9	9.3	8.2	7.3	6.5
40	69.7	34.8	23.2	17.4	13.9	11.6	10.0	8.7	7.7	7.0
41	78.4	39.2	26.1	19.6	15.7	13.1	11.2	9.8	8.7	7.8
42	91.5	45.7	30.5	22.9	18.3	15.2	13.1	11.4	10.2	9.1
43	100.2	50.1	33.4	25.0	20.0	16.7	14.3	12.5	11.1	10.0
44	108.9	54.5	36.3	27.2	21.8	18.2	15.6	13.6	12.1	10.9
45	117.6	58.8	39.2	29.4	23.5	19.6	16.8	14.7	13.1	11.8
46	130.7	65.3	43.6	32.7	26.1	21.8	18.7	16.3	14.5	13.1
47	143.7	71.9	47.9	35.9	28.7	24.0	20.5	18.0	16.0	14.4
48	156.8	78.4	52.3	39.2	31.4	26.1	22.4	19.6	17.4	15.7
49	169.9	84.9	56.6	42.5	34.0	28.3	24.3	21.2	18.9	17.0
50	178.6	89.3	59.5	44.6	35.7	29.8	25.5	22.3	19.8	17.9
51	200.4	100.2	66.8	50.1	40.1	33.4	28.6	25.0	22.3	20.0
52	217.8	108.9	72.6	54.5	43.6	36.3	31.1	27.2	24.2	21.8
53	239.6	119.8	79.9	59.9	47.9	39.9	34.2	29.9	26.6	24.0
54	257.0	128.5	85.7	64.3	51.4	42.8	36.7	32.1	28.6	25.7
55	278.8	139.4	92.9	69.7	55.8	46.5	39.8	34.8	31.0	27.9
56	291.9	145.9	97.3	73.0	58.4	48.6	41.7	36.5	32.4	29.2
57	309.3	154.6	103.1	77.3	61.9	51.5	44.2	38.7	34.4	30.9
58	326.7	163.4	108.9	81.7	65.3	54.5	46.7	40.8	36.3	32.7
59	339.8	169.9	113.3	84.9	68.0	56.6	48.5	42.5	37.8	34.0
60	357.2	178.6	119.1	89.3	71.4	59.5	51.0	44.6	39.7	35.7
61	374.6	187.3	124.9	93.7	74.9	62.4	53.5	46.8	41.6	37.5
62	396.4	198.2	132.1	99.1	79.3	66.1	56.6	49.5	44.0	39.6
63	413.8	206.9	137.9	103.5	82.8	69.0	59.1	51.7	46.0	41.4
64	435.6	217.8	145.2	108.9	87.1	72.6	62.2	54.5	48.4	43.6
65	453.0	226.5	151.0	113.3	90.6	75.5	64.7	56.6	50.3	45.3
66	470.4	235.2	156.8	117.6	94.1	78.4	67.2	58.8	52.3	47.0
67	492.2	246.1	164.1	123.1	98.4	82.0	70.3	61.5	54.7	49.2
68	509.7	254.8	169.9	127.4	101.9	84.9	72.8	63.7	56.6	51.0
69	527.1	263.5	175.7	131.8	105.4	87.8	75.3	65.9	58.6	52.7
70	548.9	274.4	183.0	137.2	109.8	91.5	78.4	68.6	61.0	54.9
71	561.9	281.0	187.3	140.5	112.4	93.7	80.3	70.2	62.4	56.2
72	575.0	287.5	191.7	143.7	115.0	95.8	82.1	71.9	63.9	57.5
73	588.1	294.0	196.0	147.0	117.6	98.0	84.0	73.5	65.3	58.8
74	601.1	300.6	200.4	150.3	120.2	100.2	85.9	75.1	66.8	60.1
75	614.2	307.1	204.7	153.5	122.8	102.4	87.7	76.8	68.2	61.4
76	618.6	309.3	206.2	154.6	123.7	103.1	88.4	77.3	68.7	61.9
77	622.9	311.5	207.6	155.7	124.6	103.8	89.0	77.9	69.2	62.3
78	627.3	313.6	209.1	156.8	125.5	104.5	89.6	78.4	69.7	62.7
79	631.6	315.8	210.5	157.9	126.3	105.3	90.2	79.0	70.2	63.2
80	636.0	318.0	212.0	159.0	127.2	106.0	90.9	79.5	70.7	63.6

GENERAL OPERATION

Perennial Rye Grass Medalist Gold #1

Cam Gauge Settings	Rate in Pounds per 1,000 Square Feet									
	@ 1.0 Mph	@ 2.0 Mph	@ 3.0 Mph	@ 4.0 Mph	@ 5.0 Mph	@ 6.0 Mph	@ 7.0 Mph	@ 8.0 Mph	@ 9.0 Mph	@ 10.0 Mph
40	2.6	1.4	0.9	0.7	0.6	0.5	0.4	0.4	0.3	0.3
41	3.2	1.6	1.1	0.8	0.6	0.5	0.5	0.4	0.4	0.3
42	3.6	1.8	1.2	0.9	0.7	0.6	0.5	0.5	0.4	0.4
43	4.0	2.0	1.3	1.0	0.8	0.7	0.6	0.5	0.4	0.4
44	4.4	2.2	1.5	1.1	0.9	0.7	0.6	0.6	0.5	0.4
45	4.8	2.4	1.6	1.2	1.0	0.8	0.7	0.6	0.5	0.5
46	5.4	2.7	1.8	1.3	1.1	0.9	0.8	0.7	0.6	0.5
47	6.0	3.0	2.0	1.5	1.2	1.0	0.9	0.7	0.7	0.6
48	6.5	3.3	2.2	1.6	1.3	1.1	0.9	0.8	0.7	0.7
49	7.1	3.6	2.4	1.8	1.4	1.2	1.0	0.9	0.8	0.7
50	7.7	3.8	2.6	1.9	1.5	1.3	1.1	1.0	0.9	0.8
51	8.3	4.1	2.8	2.1	1.7	1.4	1.2	1.0	0.9	0.8
52	8.8	4.4	2.9	2.2	1.8	1.5	1.3	1.1	1.0	0.9
53	9.4	4.7	3.1	2.3	1.9	1.6	1.3	1.2	1.0	0.9
54	9.9	5.0	3.3	2.5	2.0	1.7	1.4	1.2	1.1	1.0
55	10.5	5.3	3.5	2.6	2.1	1.8	1.5	1.3	1.2	1.1
56	11.1	5.6	3.7	2.8	2.2	1.9	1.6	1.4	1.2	1.1
57	11.8	5.9	3.9	2.9	2.4	2.0	1.7	1.5	1.3	1.2
58	12.4	6.2	4.1	3.1	2.5	2.1	1.8	1.6	1.4	1.2
59	13.0	6.5	4.3	3.3	2.6	2.2	1.9	1.6	1.4	1.3
60	13.7	6.8	4.6	3.4	2.7	2.3	2.0	1.7	1.5	1.4
61	14.3	7.2	4.8	3.6	2.9	2.4	2.0	1.8	1.6	1.4
62	15.0	7.5	5.0	3.7	3.0	2.5	2.1	1.9	1.7	1.5
63	15.6	7.8	5.2	3.9	3.1	2.6	2.2	2.0	1.7	1.6
64	16.3	8.1	5.4	4.1	3.3	2.7	2.3	2.0	1.8	1.6
65	16.9	8.5	5.6	4.2	3.4	2.8	2.4	2.1	1.9	1.7
66	17.8	8.9	5.9	4.4	3.6	3.0	2.5	2.2	2.0	1.8
67	18.6	9.3	6.2	4.7	3.7	3.1	2.7	2.3	2.1	1.9
68	19.4	9.7	6.5	4.9	3.9	3.2	2.8	2.4	2.2	1.9
69	20.3	10.1	6.8	5.1	4.1	3.4	2.9	2.5	2.3	2.0
70	21.1	10.6	7.0	5.3	4.2	3.5	3.0	2.6	2.3	2.1
71	21.8	10.9	7.3	5.5	4.4	3.6	3.1	2.7	2.4	2.2
72	22.6	11.3	7.5	5.6	4.5	3.8	3.2	2.8	2.5	2.3
73	23.3	11.6	7.8	5.8	4.7	3.9	3.3	2.9	2.6	2.3
74	24.0	12.0	8.0	6.0	4.8	4.0	3.4	3.0	2.7	2.4
75	24.7	12.4	8.2	6.2	4.9	4.1	3.5	3.1	2.7	2.5
76	24.8	12.4	8.3	6.2	5.0	4.1	3.5	3.1	2.8	2.5
77	24.9	12.4	8.3	6.2	5.0	4.1	3.6	3.1	2.8	2.5
78	24.9	12.5	8.3	6.2	5.0	4.2	3.6	3.1	2.8	2.5
79	25.0	12.5	8.3	6.2	5.0	4.2	3.6	3.1	2.8	2.5
80	25.1	12.5	8.4	6.3	5.0	4.2	3.6	3.1	2.8	2.5

GENERAL OPERATION

Perennial Rye Grass Medalist Gold #1

Cam Gauge Settings	Rate in Pounds per Acres									
	@ 1.0 Mph	@ 2.0 Mph	@ 3.0 Mph	@ 4.0 Mph	@ 5.0 Mph	@ 6.0 Mph	@ 7.0 Mph	@ 8.0 Mph	@ 9.0 Mph	@ 10.0 Mph
40	122.0	61.0	40.7	30.5	24.4	20.3	17.4	15.2	13.6	12.2
41	139.4	69.7	46.5	34.8	27.9	23.2	19.9	17.4	15.5	13.9
42	156.8	78.4	52.3	39.2	31.4	26.1	22.4	19.6	17.4	15.7
43	174.2	87.1	58.1	43.6	34.8	29.0	24.9	21.8	19.4	17.4
44	191.7	95.8	63.9	47.9	38.3	31.9	27.4	24.0	21.3	19.2
45	209.1	104.5	69.7	52.3	41.8	34.8	29.9	26.1	23.2	20.9
46	235.2	117.6	78.4	58.8	47.0	39.2	33.6	29.4	26.1	23.5
47	261.4	130.7	87.1	65.3	52.3	43.6	37.3	32.7	29.0	26.1
48	283.1	141.6	94.4	70.8	56.6	47.2	40.4	35.4	31.5	28.3
49	309.3	154.6	103.1	77.3	61.9	51.5	44.2	38.7	34.4	30.9
50	335.4	167.7	111.8	83.9	67.1	55.9	47.9	41.9	37.3	33.5
51	361.5	180.8	120.5	90.4	72.3	60.3	51.6	45.2	40.2	36.2
52	383.3	191.7	127.8	95.8	76.7	63.9	54.8	47.9	42.6	38.3
53	409.5	204.7	136.5	102.4	81.9	68.2	58.5	51.2	45.5	40.9
54	431.2	215.6	143.7	107.8	86.2	71.9	61.6	53.9	47.9	43.1
55	457.4	228.7	152.5	114.3	91.5	76.2	65.3	57.2	50.8	45.7
56	483.5	241.8	161.2	120.9	96.7	80.6	69.1	60.4	53.7	48.4
57	514.0	257.0	171.3	128.5	102.8	85.7	73.4	64.3	57.1	51.4
58	540.1	270.1	180.0	135.0	108.0	90.0	77.2	67.5	60.0	54.0
59	566.3	283.1	188.8	141.6	113.3	94.4	80.9	70.8	62.9	56.6
60	596.8	298.4	198.9	149.2	119.4	99.5	85.3	74.6	66.3	59.7
61	622.9	311.5	207.6	155.7	124.6	103.8	89.0	77.9	69.2	62.3
62	653.4	326.7	217.8	163.4	130.7	108.9	93.3	81.7	72.6	65.3
63	679.5	339.8	226.5	169.9	135.9	113.3	97.1	84.9	75.5	68.0
64	710.0	355.0	236.7	177.5	142.0	118.3	101.4	88.8	78.9	71.0
65	736.2	368.1	245.4	184.0	147.2	122.7	105.2	92.0	81.8	73.6
66	775.4	387.7	258.5	193.8	155.1	129.2	110.8	96.9	86.2	77.5
67	810.2	405.1	270.1	202.6	162.0	135.0	115.7	101.3	90.0	81.0
68	845.1	422.5	281.7	211.3	169.0	140.8	120.7	105.6	93.9	84.5
69	884.3	442.1	294.8	221.1	176.9	147.4	126.3	110.5	98.3	88.4
70	919.1	459.6	306.4	229.8	183.8	153.2	131.3	114.9	102.1	91.9
71	949.6	474.8	316.5	237.4	189.9	158.3	135.7	118.7	105.5	95.0
72	984.5	492.2	328.2	246.1	196.9	164.1	140.6	123.1	109.4	98.4
73	1014.9	507.5	338.3	253.7	203.0	169.2	145.0	126.9	112.8	101.5
74	1045.4	522.7	348.5	261.4	209.1	174.2	149.3	130.7	116.2	104.5
75	1075.9	538.0	358.6	269.0	215.2	179.3	153.7	134.5	119.5	107.6
76	1080.3	540.1	360.1	270.1	216.1	180.0	154.3	135.0	120.0	108.0
77	1084.6	542.3	361.5	271.2	216.9	180.8	154.9	135.6	120.5	108.5
78	1084.6	542.3	361.5	271.2	216.9	180.8	154.9	135.6	120.5	108.5
79	1089.0	544.5	363.0	272.3	217.8	181.5	155.6	136.1	121.0	108.9
80	1093.4	546.7	364.5	273.3	218.7	182.2	156.2	136.7	121.5	109.3

SERVICE

⚠ WARNING

Always engage the parking brake, shut off the power unit engine, remove the ignition key, and ensure that all moving parts have come to a complete stop before inspecting the components, or attempting any repair or adjustment.

ATTENTION

If any component requires replacement, use only original Ventrac replacement parts.

Cleaning and General Maintenance

For best results, and to maintain the finish of the AERA-vator, clean or wash the AERA-vator to remove any dirt and debris when the job is finished.

Cleaning the Optional Seeder

For best results, empty any remaining product from the seeder hopper and clean the seeder after the job is finished. Do not allow the product to sit in the hopper, as compaction of the product may occur. Dirt accumulations or poor maintenance may affect the performance of the seeder (e.g. a partially blocked hopper opening and/or spout tube will not disperse the product properly).

1. Empty any remaining product from the seeder's hopper by discharging onto a tarp.
2. Close the shut off lever.
3. Place a container under the left hopper end to catch any remaining product.
4. Loosen the bearing retainer wing nut and turn the bearing retainer out of the way. Using a rotating motion, slowly pull the bearing and rotor bar out of the hopper, allowing any product to fall into the container.

⚠ CAUTION

Under normal load, the motor will run hot to the touch and can cause burns. Allow the motor to cool before performing work on or near the motor.

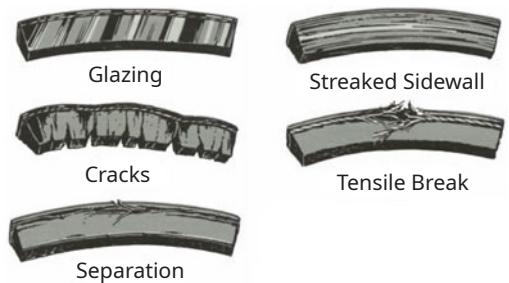
5. Remove the motor cover and drive chain from the right hopper end.
6. Repeat steps 3 and 4 for the right end bearing and rotor bar.
7. Loosen the center bearing retainer and remove the center bearing from the hopper.
8. Remove the seeder from the AERA-vator frame.

9. Remove the wing nuts and clips holding the spout/drop tube assembly to the bottom of the hopper.
10. Wipe clean the inner surfaces of the hopper, the hopper bottom and slide plates, and the spout/drop tube plate.
11. Inspect the spout tubes for blockages and clean if necessary.
12. Reinstall the spout/drop tube assembly to the bottom of the hopper and fasten with the clips and wing nuts.
13. Reinstall the center bearing and tighten the bearing retainer.
14. Reinstall the seeder onto the AERA-vator frame, unless preparing for storage. Torque the nuts and bolts that fasten the end mounting brackets to the AERA-vator to 42 Nm (31 ft-lbs).
15. Using a rotating motion, reinsert the left and right rotor bars and end bearings into the hopper. Rotate the bearing retainers into place and tighten the wing nuts.
16. Reinstall the drive chain and motor cover.

Belt Inspection

Inspecting the drive belts of the attachment can prevent sudden belt failure by finding problems before they cause a belt to break.

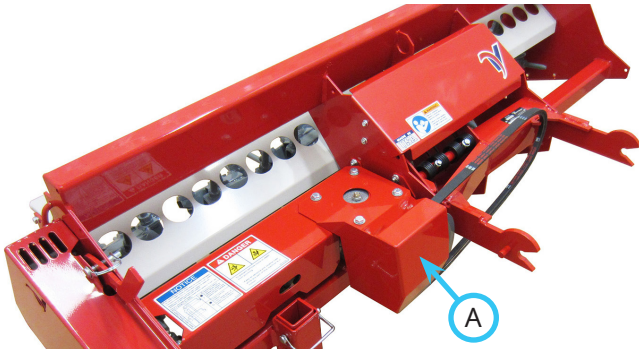
Typical wear on a drive belt may result in the conditions shown in the diagram. If any of these conditions occur, the drive belt will require replacement.



SERVICE

Gearbox Drive Belt Replacement

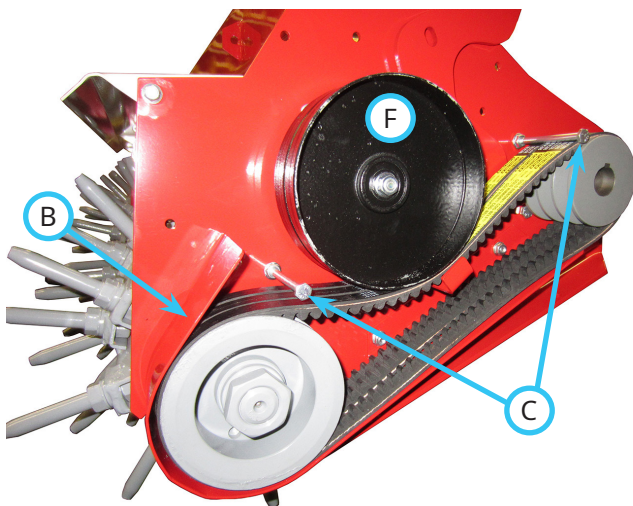
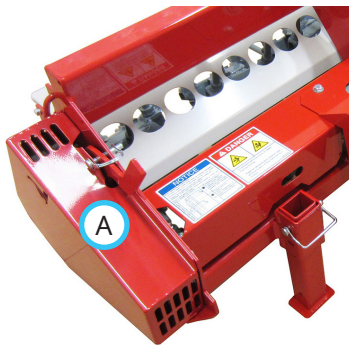
1. Detach the AERA-vator from the power unit.
2. Remove the four bolts that fasten the belt shield (A) to the top of the gearbox.



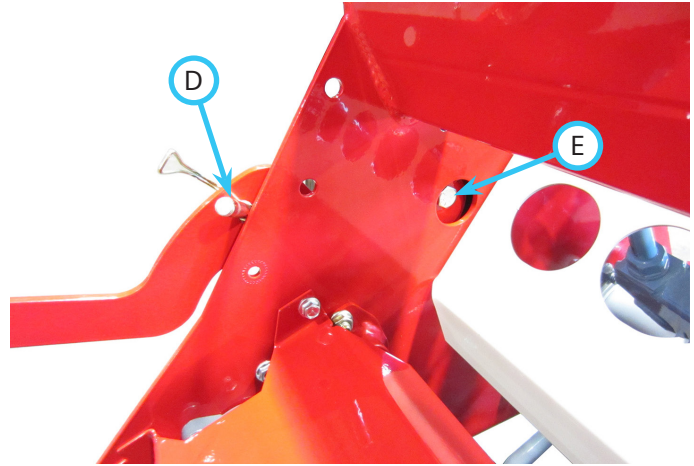
3. Remove the old drive belt.
4. Install the new drive belt over the pulley and reinstall the belt shield onto the gearbox. Torque the bolts to 42 Nm (31 ft-lbs).

Triple Drive Belt Replacement

1. Detach the AERA-vator from the power unit.
2. Remove the lockout pin from the clutch handle.
3. Remove the belt shield (A) from the left side of the AERA-vator.
4. Remove the belt retainer (B) and the two belt retainer bolts (C) from the left side of the AERA-vator.



5. Pull the clutch handle back until the hole for the lockout pin is past the AERA-vator frame. Install the lockout pin (D) and release the clutch handle. The bolt head (E) for the clutch pulley should now be aligned with the access hole in the main frame.

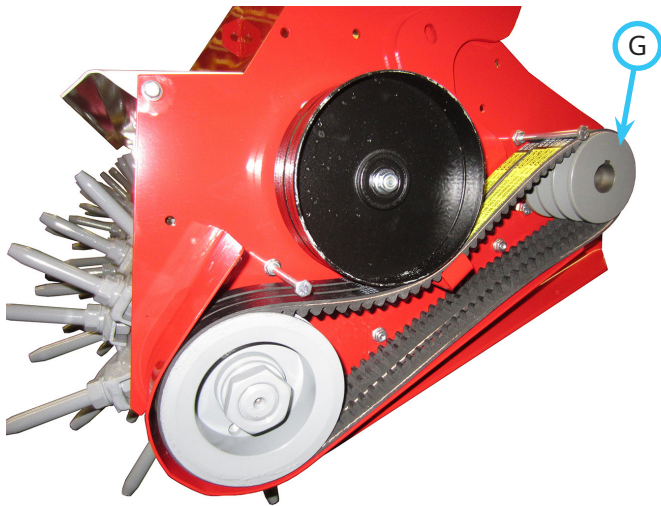


6. Remove the clutch pulley (F) from the clutch handle.
7. Remove the old drive belts and install the new drive belts onto the pulleys. Replace all three drive belts at the same time. NOTE: due to manufacturing tolerances on the belt length, if possible, choose three belts that are closest in length to each other.
8. Reinstall the two belt retainer bolts (C). Torque to 100 in-lbs (11 Nm).
9. Reinstall the clutch pulley (F) onto the clutch handle. Torque the bolt to 42 Nm (31 ft-lbs).
10. Remove the lockout pin (D) and release the clutch handle to tension the belts.
11. Reinstall the belt retainer (B) and check to ensure there is approximately a 1.5 mm (1/16 inch) gap between the belt retainer and the belts around the front pulley. Torque bolts to 11 Nm (100 in-lbs).
12. Before reinstalling the belt shield (A), check for proper belt adjustment. Refer to the following section for belt adjustment instructions.

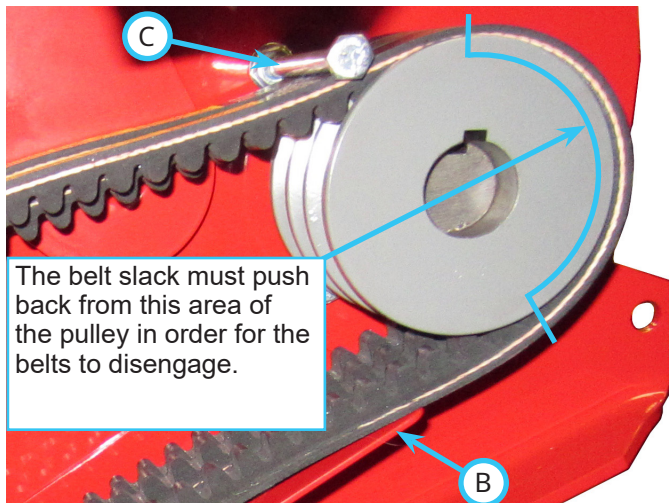
SERVICE

Triple Drive Belt Adjustment

1. Attach the AERA-vator to the power unit.
2. Park the power unit and AERA-vator on a dirt surface and engage the parking brake.
3. Engage the PTO and lower the AERA-vator to the ground to activate the tine drive.
4. After tine movement has started, lift the AERA-vator off the ground. The belt slack should push back and move the belts away from the rear of the drive pulley (G). The drive pulley will continue to spin with the PTO engaged, but belt movement should stop within 5-10 seconds after the AERA-vator is lifted off the ground.

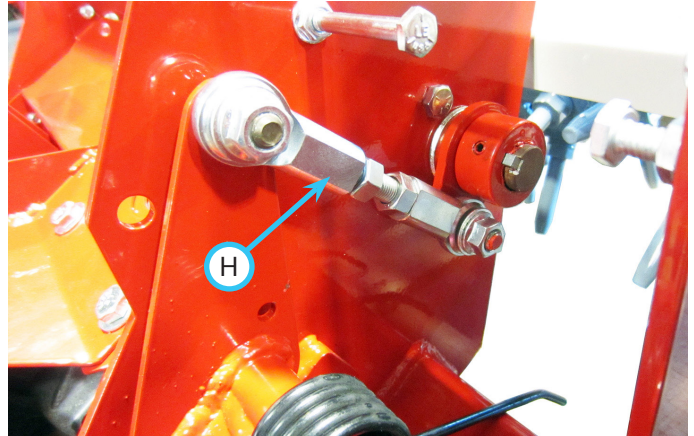


5. If the belts do not disengage properly, you may need to adjust the bottom of the belt retainer shield (B), the belt retainer bolt (C) next to the rear drive pulley, or the clutch linkage (H) under the shield in front of the hitch arms.



NOTE: the belt retainer bolt (C) and the bottom of the belt retainer shield (B) must keep the belt from moving very far away from the top or bot-

tom of the drive pulley (G) to ensure the belt disengages from the rear of the drive pulley where the belt wraps around the pulley.



NOTE: shorten the clutch linkage (H) to move the clutch pulley (F) down toward the belt. Lengthen the clutch linkage to move the clutch pulley up away from the belts.

6. Repeat steps 3 and 4 until the belts disengage within the required time limit.
7. If the clutch linkage length was adjusted, make sure the locking nuts are tightened against the rod ends.
8. Reinstall the belt shield (A) and torque the bolts to 11 Nm (100 in-lbs).
9. Reinstall the lockout pin in the desired position.

SERVICE

Drive Chain Tension Inspection (Optional Seeder)

1. Unplug the seeder power cord from the power unit.

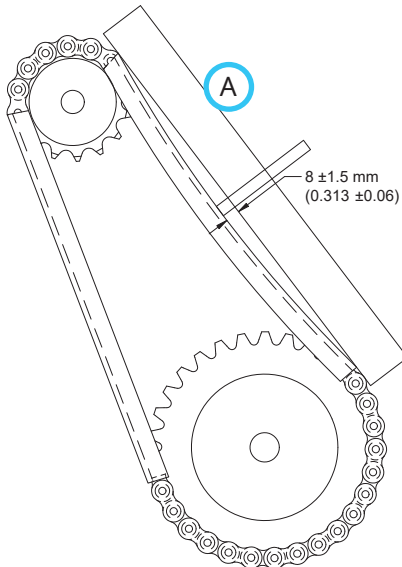
CAUTION

Under normal load, the motor will run hot to the touch and can cause burns.

Allow the motor to cool before performing work on or near the motor.

2. Remove the motor cover from the right end of the seeder hopper.
3. Place a straightedge (A) across the sprockets as shown below.

4. Lightly press on the chain at the center point between the two sprockets to remove the slack. There should be $8 \text{ mm} \pm 1.5 \text{ mm}$ ($5/16 \pm 1/16$ inch) between the chain and the straightedge.



5. If the chain tension needs adjusted, proceed to the following section for chain tension adjustment. If the chain tension is correct, reinstall the motor cover and torque the bolts to 11 Nm (100 in-lbs).

Drive Chain Tension Adjustment (Optional Seeder)

1. Loosen the two bolts that fasten the motor mount to the right side seeder mount.
2. Move the motor mount to increase or decrease the chain tension and torque the motor mount bolts to 24 Nm (210 in-lbs).
3. Reconnect the seeder plug to the power unit and run the seeder for 20-30 seconds.
4. Unplug the seeder from the power unit and recheck the chain tension.
5. When the chain tension is correct, reinstall the motor cover and torque the bolts to 11 Nm (100 in-lbs).

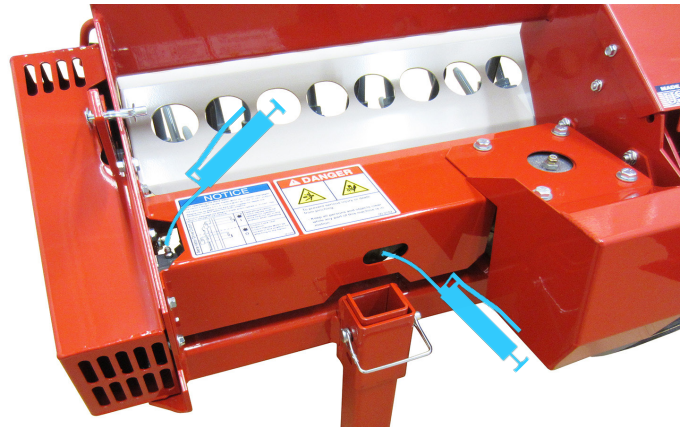
Lubrication Locations

Lubrication is required at the following locations using a lithium complex NLGI #2 grease.

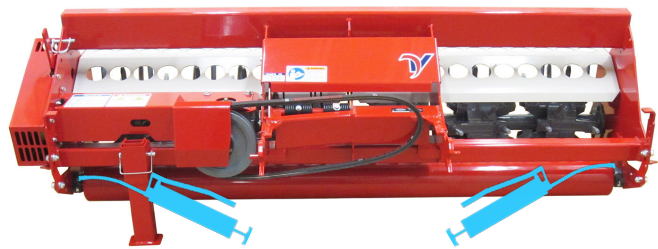
Wipe the grease fittings clean before applying grease to the grease fittings.

Refer to the maintenance schedule for service intervals and the amount of grease.

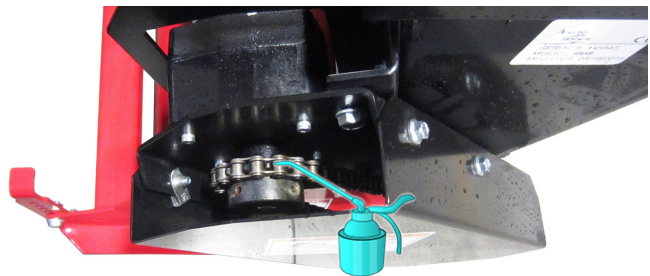
Grease the drive shaft bearing and the universal joint.



Optional Rear Roller - Grease the roller shaft bearings.



Optional Seeder - Oil the drive chain.



SERVICE

Optional Seeder - Oil the four rotor bearings. NOTE: to oil the seeder rotor bearings, place 3 - 4 drops of low viscosity oil between the rotor ends and the rotor bearings. The bearings are oil impregnated and will replenish themselves to their absorption capacity. Do not over-oil the bearings.



Checking the Gearbox Oil Level

1. Clean the top of the gearbox and remove the breather plug (A) from the top port.



2. Check the oil level in the gearbox. The oil level should be maintained at approximately half full. If the oil level is low, add 80-90 synthetic gear oil until the proper level is reached.
3. Reinstall the breather plug into the top port of the gearbox.

Changing the Gearbox Oil

Due to the gearbox mounting configuration, the gearbox does not have a bottom drain port. The recommended procedure is to remove the gear oil using a fluid extractor or have this service procedure performed by an authorized dealer.

1. Clean the top of the gearbox and remove the breather plug from the top port.
2. Use a fluid extractor to remove the old gear oil from the gearbox.
3. Add 80-90 synthetic gear oil until the proper level is reached.
4. Reinstall the breather plug into the top port of the gearbox.

Storage

Preparing the Attachment for Storage

1. Clean the attachment to remove accumulated dirt, dust, and debris.
2. Inspect for loose or missing hardware, damaged components, or signs of wear. Repair or replace any damaged or worn components.
3. Inspect the belts for damage or excessive wear.
4. Inspect the safety decals. Replace any decals that are faded, illegible, or missing.
5. Apply grease to all grease points and wipe off any excess grease.
6. If equipped with an optional seeder, oil the drive chain and the four rotor bearings.
7. Inspect the gearbox oil level.
8. Inspect the painted components for chips, scratches, or rust. Clean and touch up the surfaces as needed.

Removing the Attachment from Storage

1. Clean the attachment to remove any accumulated dust or debris.
2. Inspect the attachment as instructed in the Daily Inspection section of this manual.
3. Test the attachment to ensure that all the components are working properly.

SERVICE

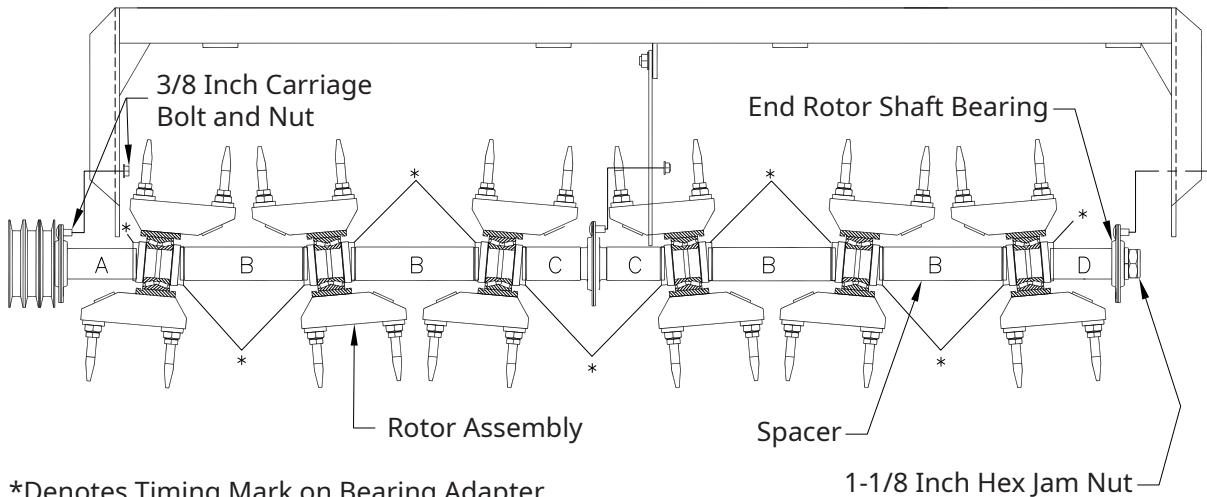
Rotor Shaft Service Instructions

Clean the AERA-vator thoroughly with a pressure washer before servicing the rotor shaft.

Rotor Shaft Removal

1. Remove the AERA-vator from the power unit and place on a level surface beneath a hoist.
2. Remove the three belt shield, the belt retainer, and the three drive belts.
3. Remove the 3/8 inch nuts and bolts that fasten the center bearing to the center bearing mount.
4. Remove the 3/8 inch nuts and carriage bolts that fasten the end rotor shaft bearings to the frame.
NOTE: the carriage bolts on the pulley end will be captive between the pulley and the bearing flange.

5. Use a hoist to lift up slightly on the AERA-vator frame while moving the frame to the right until the carriage bolts clear the frame.
6. Lift the AERA-vator off the rotor shaft assembly and move out of the way. Lower the AERA-vator to the ground before continuing work on the rotor shaft.



*Denotes Timing Mark on Bearing Adapter

- NOTES:
1. Each rotor assembly has the timing marks phased 180° apart on opposite sides.
 2. The timing marks between adjacent rotors are aligned, including the center pair of rotors.

SERVICE

Rotor Shaft Disassembly

1. Remove the 1-1/8 inch hex jam nut from the shaft end nearest the damaged component.
2. Only remove the rotors and spacers required to reach the damaged component. Wipe the shaft clean before each rotor is removed.

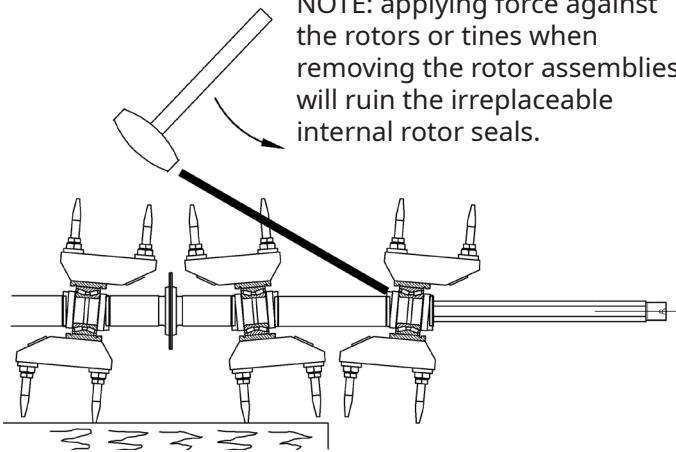
ATTENTION

Each rotor bearing has two separate cones with a hex bore adapter pressed into each. Each cone is held in position by an internal grease seal, which allows the cones to be moved apart slightly. If they are moved apart, any dirt allowed inside the hex adapters can fall between the cones and contaminate the bearing.

If the cones are forced apart, the internal seals become ruined and irreplaceable.

3. Place a blunt bar against the thick face of the bearing adapter to drive the rotors off the shaft.

NOTE: applying force against the rotors or tines when removing the rotor assemblies will ruin the irreplaceable internal rotor seals.



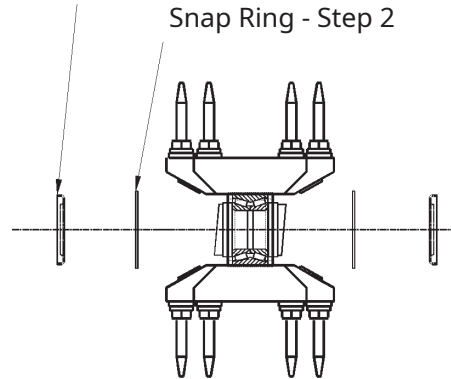
4. Clean and inspect the parts as they are removed and set aside in their order of removal.

Rotor Hub Disassembly

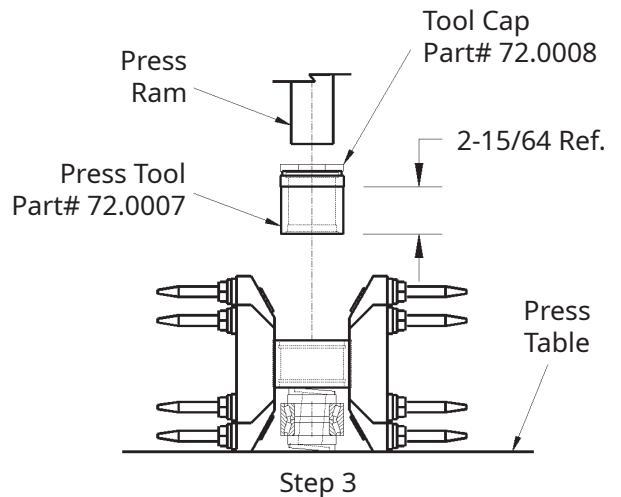
1. With a pry bar, remove the external seals on both sides of the rotor. Generally, the seals are damaged and are not reusable.

External Seal - Step 1

Snap Ring - Step 2



2. Remove the snap rings on both sides of the rotor.



3. Press the used bearing and adapter assembly out of the rotor.

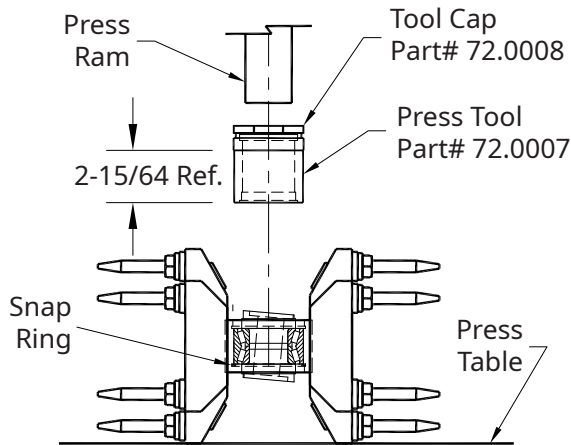
SERVICE

Rotor Hub Reassembly

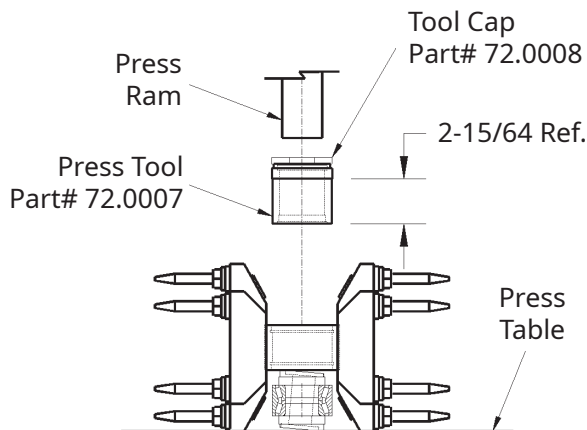
ATTENTION

Keep all components clean to prevent bearing contamination.

1. Install a snap ring in one side of the rotor hub.
NOTE: be sure the snap rings expand fully into the grooves.
2. Press the new bearing and adapter assembly down tight against the snap ring. NOTE: if the bearing is loose in the hub, the rotor should be replaced.



3. Install a snap ring in the other end of the rotor hub.
4. Apply a ribbon of general purpose grease between the snap ring ID and the bearing adapter OD on both ends of the rotor hub.
5. With the press tool inverted to fit the external seals, press seals in both ends of the rotor with the lips out. Wipe off excess grease. Be sure the seals are not bent or cut and are seated firmly. If the seals are not tight, use a hammer and punch to stake the hub faces at approximately 90 degree intervals.



Rotor Shaft Reassembly

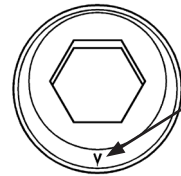
ATTENTION

Read this section thoroughly before beginning.

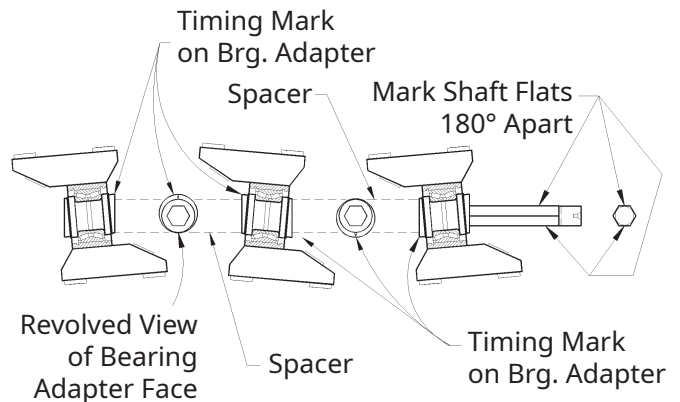
Clean the rotor shaft and remove any burrs that would keep the rotor assemblies from sliding on freely. If a bearing adapter jams, the internal bearing seal could be forced out and it is not replaceable.

If the bearing adapters are not precisely timed 180 degrees apart in each rotor and aligned between rotors, serious damage will result.

1. Rotate the adapters in each rotor so the timing marks are phased 180 degrees apart with the hex bores aligned.



2. Use a marker pen to assist with aligning timing marks between rotors. Mark two rotor shaft flats 180 degrees apart next to the threaded end. The marked flats must align with the timing marks of any rotors not removed during servicing.



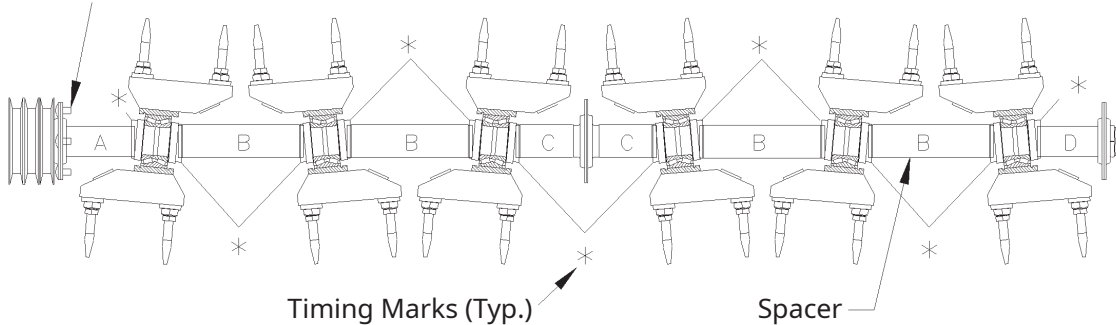
SERVICE

3. Install the required components in the sequence shown below. Double-check the timing mark locations and the spacer lengths (refer to the table) as each rotor is installed.

Spacer	Length	Part Number
A	96.4 mm (3-51/64 inches)	80.0337
B	184.2 mm (7-1/4 inches)	80.0338
C	90.5 mm (3-9/16 inches)	80.0339
D	83.7 mm (3-19/64 inches)	80.0340

NOTE: Place four 3/8 x 1 inch Grd 5 Carriage Bolts through these bearing flanges (as shown) prior to assembling the pulley.

View From the Rear of the Machine



ATTENTION

The spacers must be fully seated in each adapter counter bore before tightening. Make sure the bearing stampings are in place on the shaft bearings during reassembly. The 3/8 inch carriage bolts on the drive end bearing flange must be in place before the drive pulley is reinstalled.

4. Replace the 1-1/8" hex jam nut and rotate each rotor occasionally as the nut is torqued to 474 Nm (350 ft-lbs). If any rotor locks up, the bearing adapters in the rotor are probably not phased 180 degrees apart, or the spacers are not fully seated.

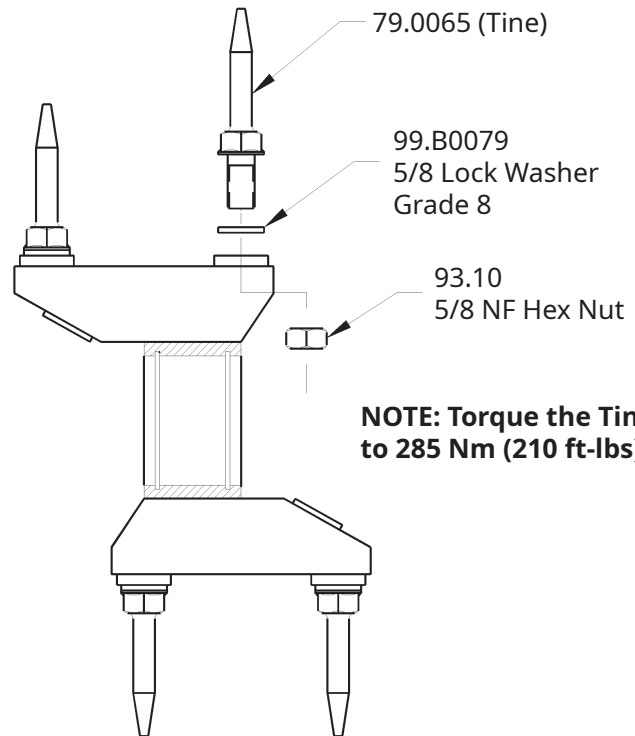
SERVICE

Rotor Shaft Installation

1. Use a hoist to lift the AERA-vator frame and position it above the rotor shaft.
2. Carefully lower the AERA-vator into place while keeping the frame far enough away from the bearing flanges that the carriage bolts in the pulley end can clear the frame.
3. When the holes in the AERA-vator frame align with the carriage bolts, move the unit toward the bearing flange until the bolts are inserted through the frame end holes. Install the nuts onto the carriage bolts and hand tighten.
4. Install carriage bolts through the flanges in the idler end bearing and into the frame end holes. Install the nuts and hand tighten.
5. Install carriage bolts through the flanges in the center bearing and into the center bearing mount. Install the nuts and hand tighten.
6. Torque the nuts on all the bearing mount bolts to 42 Nm (31 ft-lbs).
7. Install the three drive belts onto the pulleys.
8. Install the belt retainer, making sure the belts will not rub on the retainer when tensioned. Torque the bolts to 11 Nm (100 in-lbs).
9. Install the belt shield and torque the bolts to 11 Nm (100 in-lbs).
10. Attach the AERA-vator to a power unit. Run the AREA-vator to check for loose or improperly installed components.

Tine Replacement

Assemble the tines to the rotor as shown below. Torque the tines to 285 Nm (210 ft-lbs). NOTE: an extra deep 15/16 inch socket (Ventrac part # 72.0041) is available for the removal and installation of the tines.



SERVICE

Maintenance Schedule

	# of locations	# of pumps	As Needed	Daily	At 50 hours	At 100 hours	At 150 hours	At 200 hours	At 250 hours	At 300 hours	At 350 hours	At 400 hours	At 450 hours	At 500 hours	At 550 hours	At 600 hours	At 650 hours	At 700 hours	At 750 hours	At 800 hours	At 850 hours	At 900 hours	At 950 hours	At 1,000 hours	Yearly
Grease and Lubrication: See Lubrication Section																									
Drive Shaft Bearing	1	1			✓	✓	✓	✓	✓	✓	✓	✓	✓	✓	✓	✓	✓	✓	✓	✓	✓	✓	✓	✓	✓
Universal Joint	1	1			✓	✓	✓	✓	✓	✓	✓	✓	✓	✓	✓	✓	✓	✓	✓	✓	✓	✓	✓	✓	✓
Optional Rear Roller Bearings	2	1			✓	✓	✓	✓	✓	✓	✓	✓	✓	✓	✓	✓	✓	✓	✓	✓	✓	✓	✓	✓	✓
Optional Seeder Rotor Bearings	4			✓																					
Optional Seeder Drive Chain	1				✓	✓	✓	✓	✓	✓	✓	✓	✓	✓	✓	✓	✓	✓	✓	✓	✓	✓	✓	✓	✓
Inspect the Gearbox Oil Level					✓	✓	✓	✓	✓	✓	✓	✓	✓	✓	✓	✓	✓	✓	✓	✓	✓	✓	✓	✓	✓
Change the Gearbox Oil (80-90 synthetic gear oil)					✓									✓										✓	
Inspection																									
Inspect for Loose, Missing, or Worn Components				✓																					
Inspect the Drive Belts				✓																					
Inspect the AERA-vator Tines				✓																					
Inspect the Safety Decals				✓																					
Inspect the Seeder Drive Chain Tension					✓	✓	✓	✓	✓	✓	✓	✓	✓	✓	✓	✓	✓	✓	✓	✓	✓	✓	✓	✓	✓

Maintenance Checklist

	# of locations	# of pumps	As Needed	Daily	At 50 hours	At 100 hours	At 150 hours	At 200 hours	At 250 hours	At 300 hours	At 350 hours	At 400 hours	At 450 hours	At 500 hours	At 550 hours	At 600 hours	At 650 hours	At 700 hours	At 750 hours	At 800 hours	At 850 hours	At 900 hours	At 950 hours	At 1,000 hours	Yearly
Grease and Lubrication: See Lubrication Section																									
Drive Shaft Bearing	1	1																							
Universal Joint	1	1																							
Optional Rear Roller Bearings	2	1																							
Optional Seeder Rotor Bearings	4																								
Optional Seeder Drive Chain	1																								
Inspect the Gearbox Oil Level																									
Change the Gearbox Oil (80-90 synthetic gear oil)																									
Inspection																									
Inspect for Loose, Missing, or Worn Components																									
Inspect the Drive Belts																									
Inspect the AERA-vator Tines																									
Inspect the Safety Decals																									
Inspect the Seeder Drive Chain Tension																									

SPECIFICATIONS

Dimensions

Overall Height	56 cm (22 inches)
Overall Height with Optional Seeder	81.5 cm (32 inches)
Overall Length	86.5 cm (34 inches)
Overall Width	167.5 cm (66 inches)
Overall Width with Optional Seeder	171.5 cm (67-1/2 inches)
Working Width	152.5 cm (60 inches)
Weight	190 kg (420 pounds)
Weight with Optional Seeder	238 kg (525 pounds)
Tines	14.3 X 89 mm (9/16 x 3-1/2 inches)
Vibration Depth.	7 cm (2-3/4 inches)
Aeration Density (16 Tine Rotor - Serial # 1001-1139)	65 holes / m ² (6 holes / ft ²)
Aeration Density (24 Tine Rotor - Serial # 1140-)	86 holes / m ² (8 holes / ft ²)
Shaft Speed800 cycles per minute
Optimal Engine Speed	3,200 RPM
Optional Seeder RPM	15 (rotor) 30 (motor)
Optional Seeder Hopper Capacity07 m ³ (2.5 ft ³)

Features

- Jack stand for storage
- Weight mounting bar holds up to eight Ventrac weights
- Ventrac mount system

Visit ventrac.com/manuals
for the latest version of this operator's manual.
A downloadable parts manual is also available.

[View all manuals](#)

