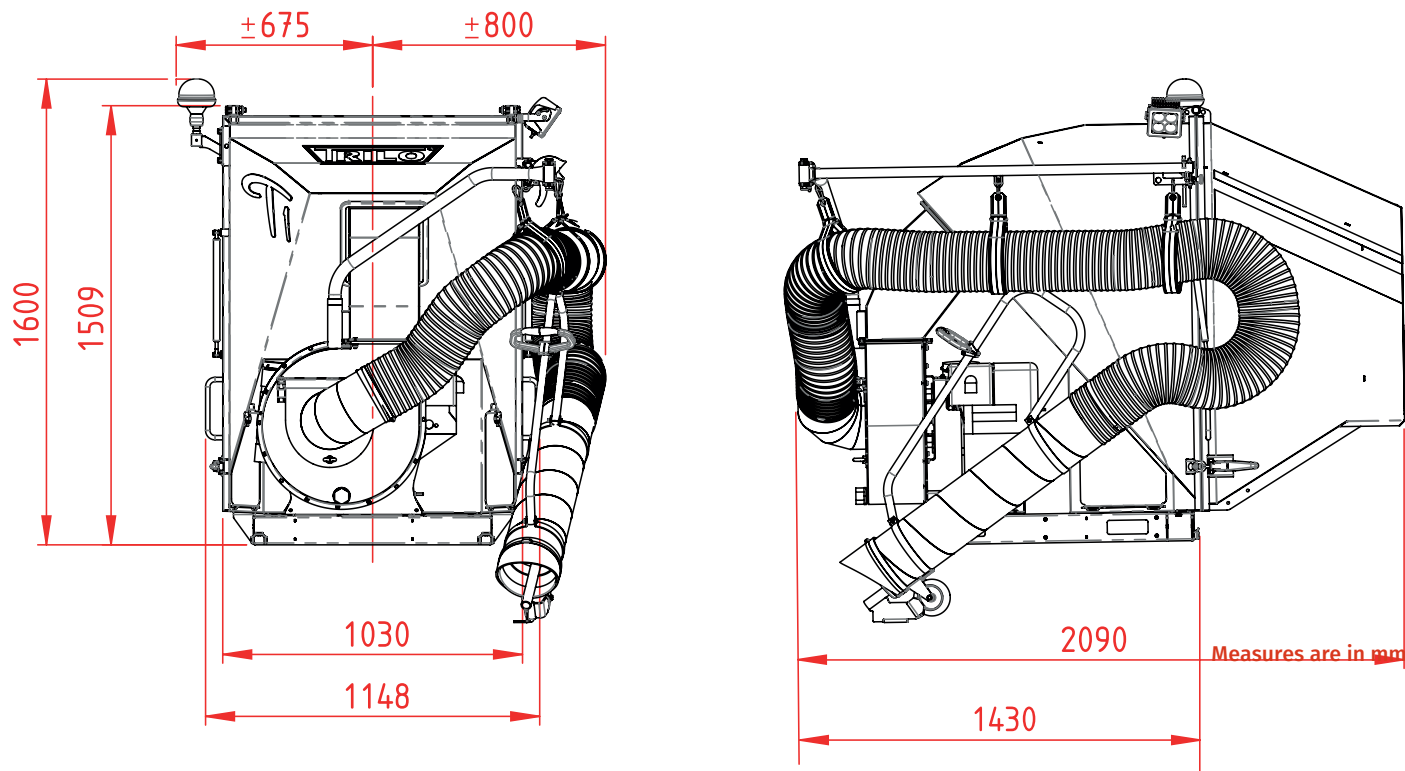




# TRILO T1 Independently driven suction unit



## Technical specifications

Impeller:	ø 400 mm – 4-blade
Drive:	Petrol engine - Honda GX340 8 kW
Machine starting method:	Pull cord
Overall dimensions:	(LxHxW): 209 x 160 x 150 cm
Weight:	332 kg
Load volume:	1.0 m <sup>3</sup>
Suction hose:	ø 200 mm x 5 m (4 m flexible hose)
Airflow:	180 m <sup>3</sup> /min

Under our policy of continuous improvement, we reserve the right to change specifications and design without prior notice. The illustrations do not necessarily show the standard version of the machine. Not all products are available in all countries.

Vanmac BV / Astronaut 40 / 3824MJ Amersfoort / Nederland / Tel: (+31) (0)33 456 45 50 / E-mail: info@trilo.com / www.trilo.com